



## Sockets & Accessories

### Ratchets

A choice of ratchets are available from a stubby 1/4" palm ratchet to a choice of 1" drive ratchets. In 1/4", 3/8" and 1/2" drive a choice of styles are available with the new Teng Tools 60 teeth ratchet and the FRP ratchet each having quick release and reverse action but with a choice of handle and head styles to suit personal choice and needs.

The heavy duty 3/4" and 1" drive ratchets are manufactured to full professional quality standards and feature removable heads and flip reverse action with the 3/4" drive option also featuring a quick release mechanism. 72 teeth 3/4" and 1" drive ratchets are also available with twist reverse and quick release for added convenience.

### FRP Ratchets

Steel reinforced fibre ratchets that are lighter than conventional ratchets but just as strong. 45 teeth (8 degree increment) ratchet mechanism. Quick release mechanism for releasing sockets and accessories with one hand. Flip reverse lever for simple changing of direction. Design protected (24583ROC). Two component handle with ergonomic design making the ratchet much more comfortable to use particularly in cold environments. All individual parts as well as service repair kits are available and easy to fit. Suitable for use on it's own or with Teng Tools TC tray sets as well as the range of socket and tool sets.

### 60 Teeth Ratchets

Ultra slim type ratchet heads for much easier access in confined spaces. 60 teeth providing a 6 degree increment for a smooth action. Quick release mechanism. Flip reverse lever for simple changing of direction. All individual parts as well as service repair kits are available and easy to fit.

### TENGOOLS®

#### 1400B Mini Bits Ratchet

A 1/4" hex drive reversible ratchet with 8mm 12 point ring spanner. Drop forged. Chrome vanadium. Satin finish.

Stock No 1400B → Price £23.60



### TENGOOLS®

#### 1400M Mini Palm Ratchet

Mini palm ratchet in 1/4" drive - ideal for use where space is very restricted. Reversible action.

Stock No 1400M → Price £24.10



### TENGOOLS®

#### 60 Teeth Ratchets

Ultra slim ratchet heads with 60 teeth giving a 6 degree increment between clicks. Quick release and flip reverse mechanism. Fewer moving parts for reliability and easier servicing. The ideal ratchet for narrow spaces and where a smooth action is required.

60 Teeth Ratchets →



| Stock No. | Drive | DIN   | Description                | Number of teeth | Length mm | Weight g | Price  |
|-----------|-------|-------|----------------------------|-----------------|-----------|----------|--------|
| 1400-60T  | 1/4"  | 3122D | ratchet with quick release | 60              | 143       | 104      | £32.90 |
| 3800-60T  | 3/8"  | 3122D | ratchet with quick release | 60              | 200       | 256      | £37.50 |
| 1200-60T  | 1/2"  | 3122D | ratchet with quick release | 60              | 250       | 402      | £43.80 |



## TENGTTOOLS

### FRP Ratchets

Teng Tools steel reinforced fibre ratchets have been designed to create a 45 teeth (8 degree increment) ratchet with quick release and flip reverse to meet or exceed all internationally recognised quality and torque specifications. The design protected ratchet (24583ROC) is not only lighter and just as strong but is also much more comfortable to use than regular ratchets. New style bi-directional handles for a more comfortable grip.



#### FRP Ratchets →

| Stock No | Drive | DIN   | Description  | Maximum recommended torque | Number of teeth | length mm | Weight g | Price  |
|----------|-------|-------|--|----------------------------|-----------------|-----------|----------|--------|
| 1400FRP  | 3/8"  | 3122D | 1/4" drive fibre reinforced ratchet handle with flip reverse and quick release | 62Nm                       | 45              | 150       | 96       | £23.90 |
| 3800FRP  | 1/2"  | 3122D | 3/8" drive fibre reinforced ratchet handle with flip reverse and quick release | 202Nm                      | 45              | 203       | 227      | £30.90 |
| 1200FRP  | 1/4"  | 3122D | 1/2" drive fibre reinforced ratchet handle with flip reverse and quick release | 512Nm                      | 45              | 255       | 358      | £37.90 |



### Ratchets

Ratchet handle with 1/4", 3/8" or 1/2" drive, adjustable flip reverse for right and left hand action. Chrome vanadium steel. Two component handle.

| Stock No. | Drive | Length | Price  |
|-----------|-------|--------|--------|
| 149287203 | 1/4"  | 140    | £13.90 |
| 149287211 | 3/8"  | 200    | £15.90 |
| 149289605 | 1/2"  | 250    | £20.90 |



#### NEW! Ratchets →

## TENGTTOOLS

### Stainless Steel Ratchets

Stainless steel ratchet with 36 teeth with flip reverse and quick release button. Ideal for the food, medical, aerospace and marine industries or for use in any acidic environment.

| Stock No. | Drive | No of teeth | Overall length mm | Weight g | Price   |
|-----------|-------|-------------|-------------------|----------|---------|
| MS3800    | 3/8"  | 36          | 204               | 424      | £120.00 |
| MS1200    | 1/2"  | 36          | 266               | 900      | £158.50 |



#### NEW! Stainless Steel Ratchets →

## TENGTTOOLS

### Heavy Duty Ratchets

The heavy duty 3/4" and 1" drive ratchets are manufactured to full professional quality standards and feature removable heads and flip reverse action. The 3/4" drive version also features a quick release button for added convenience. Knurled handle.



#### Heavy Duty Ratchets →

| Stock No | Drive | DIN   | Description                        | Number of teeth | length mm | Weight g | Price   |
|----------|-------|-------|------------------------------------|-----------------|-----------|----------|---------|
| M3400-3  | 3/4"  | 3122D | ratchet with detachable head       | 40              | 500       | 2570     | £110.80 |
| M1100    | 1"    | 3122D | ratchet with detachable head       | 24              | 665       | 4410     | £120.10 |
| M110010  | 1"    | 3122D | detachable ratchet head            | 24              | 165       | 1740     | £101.90 |
| M110020  | 1"    | -     | 22" power bar for use with M110010 | -               | 560       | 2670     | £30.60  |

## TENGTTOOLS

### 72 Teeth Ratchets

The heavy duty 3/4" and 1" drive ratchets with 72 teeth are manufactured to full professional quality standards and feature twist reverse action. They also feature a quick release button for added convenience.



#### 72 Teeth Ratchets →

| Stock No | Drive | Description   | Number of teeth | length mm | Weight g | Price   |
|----------|-------|---|-----------------|-----------|----------|---------|
| M3400-72 | 3/4"  | 3/4" drive ratchet with twist reverse and quick release | 72              | 505       | 2000     | £114.60 |
| M1100-72 | 1"    | 1" drive ratchet with twist reverse and quick release   | 72              | 800       | 4060     | £191.10 |



**TENGTTOOLS**

**Push through ratchet**

3/8" drive ratchet for push through sockets with flip reverse action. Two component non slip handle, to be used together with push through sockets.



Stock No M800010 → Price **£36.80**

**TENGTTOOLS**

**Long arm flexible ratchet**

This 400mm long 1/2" drive flexible ratchet features twist reverse and quick release function and a 60 teeth ratchet. Two component non slip handle. Satin finish.



Stock No 1200F → Price **£42.00**

**TENGTTOOLS**

**Long arm ratchet**

400mm long 1/2" drive ratchet featuring twist reverse and quick release function and a 60 teeth ratchet. Two component non slip handle. Satin finish.



Stock No 1200L → Price **£39.90**

**TENGTTOOLS**

**Extension bars**

Chrome vanadium steel. Satin finish.



**Repair Kits**

Repair kits for ratchets.

| Stock No.  | Drive | Type | DIN   | Description                                     | Length mm | Weight g | Price  |
|------------|-------|------|-------|---|-----------|----------|--------|
| M140020-C  | 1/4"  | A    | 3123B | 2" extension bar                                | 50        | 22       | £3.30  |
| M140023-C  | 1/4"  | A    | 3123B | 3" extension bar                                | 75        | 35       | £3.70  |
| M140021-C  | 1/4"  | A    | 3123B | 4" extension bar                                | 100       | 46       | £3.70  |
| M140022-C  | 1/4"  | A    | 3123B | 6" extension bar                                | 150       | 65       | £4.20  |
| M140038-C  | 1/4"  | -    | 3123B | 6" flexible extension bar with protective cover | 150       | 26       | £9.60  |
| M380020-C  | 3/8"  | A    | 3123B | 3" extension bar                                | 75        | 75       | £4.10  |
| MS380020-C | 3/8"  | A    | -     | 3" stainless steel extension bar                | 75        | 72       | £23.70 |
| M380023-C  | 3/8"  | A    | 3123B | 5" extension bar                                | 125       | 120      | £5.60  |
| MS380023-C | 3/8"  | A    | -     | 5" stainless steel extension bar                | 125       | 118      | £35.50 |
| M380021-C  | 3/8"  | A    | 3123B | 6" extension bar                                | 150       | 145      | £5.60  |
| M380022-C  | 3/8"  | A    | 3123B | 10" extension bar                               | 254       | 242      | £7.90  |
| M120020-C  | 1/2"  | A    | 3123B | 2 1/2" extension bar                            | 63.5      | 105      | £5.60  |
| M120021-C  | 1/2"  | A    | 3123B | 5" extension bar                                | 125       | 222      | £7.00  |
| MS120021-C | 1/2"  | A    | -     | 5" stainless steel extension bar                | 125       | 209      | £48.60 |
| M120023-C  | 1/2"  | A    | 3123B | 6" extension bar                                | 150       | 240      | £6.60  |
| M120022-C  | 1/2"  | A    | 3123B | 10" extension bar                               | 255       | 420      | £11.30 |
| M340020-C  | 3/4"  | A    | 3123B | 4" extension bar                                | 100       | 400      | £11.30 |
| M340020S-C | 3/4"  | A    | 3123B | 4" extension bar with safety locking mechanism  | 100       | 450      | £20.40 |
| M340021-C  | 3/4"  | A    | 3123B | 8" extension bar                                | 200       | 700      | £18.20 |
| M340021S-C | 3/4"  | A    | 3123B | 8" extension bar with safety locking mechanism  | 200       | 750      | £23.70 |
| M340022-C  | 3/4"  | A    | 3123B | 16" extension bar                               | 400       | 1400     | £25.30 |
| M340022S-C | 3/4"  | A    | 3123B | 16" extension bar with safety locking mechanism | 400       | 1400     | £34.20 |
| M110040    | 1"    | A    | 3123B | 8" extension bar                                | 200       | 1350     | £43.20 |
| M110050    | 1"    | A    | 3123B | 16" extension bar                               | 400       | 2400     | £54.70 |

| Stock No.  | Drive                          | Description | Price  |
|------------|--------------------------------|-------------|--------|
| 1400-72RK  | Repair Kit for 1400-72         | 1/4"        | £15.90 |
| 1400-60TRK | Repair kit for 1400-60T        | 1/4"        | £21.70 |
| 1400RK-1   | Repair Kit for PT1400          | 1/4"        | £10.30 |
| 1400FRPRK  | Repair Kit for 1400FRP         | 1/4"        | £11.40 |
| 1400NRK    | Repair Kit for 1400            | 1/4"        | £9.90  |
| 3800-72RK  | Repair Kit for 3800-72         | 3/8"        | £19.20 |
| 3800-60TRK | Repair kit for 3800-60T        | 3/8"        | £19.20 |
| 3800RK-1   | Repair Kit for PT3800          | 3/8"        | £13.70 |
| 3800FRPRK  | Repair Kit for 3800FRP         | 3/8"        | £13.70 |
| 3800NRK    | Repair Kit for 3800            | 3/8"        | £13.70 |
| MS3800RK   | Repair Kit for MS3800RK        | 3/8"        | £42.00 |
| 1200-72RK  | Repair Kit for 1200-72         | 1/2"        | £18.40 |
| 1200-60TRK | Repair kit for 1200-60T        | 1/2"        | £27.80 |
| 1200RK-1   | Repair Kit for PT1200          | 1/2"        | £15.90 |
| 1200FRPRK  | Repair Kit for 1200FRP         | 1/2"        | £15.90 |
| 1200NRK    | Repair Kit for 1200            | 1/2"        | £12.70 |
| MS1200RK   | Repair kit for MS1200RK        | 1/2"        | £56.70 |
| 1201RK     | Repair Kit for 1201            | 1/2"        | £12.70 |
| 1200FRK    | Repair Kit for 1200F and 1200L | 1/2"        | £15.20 |
| M3400-72RK | Repair Kit for M3400-72        | 3/4"        | £53.60 |
| M3400-3RK  | Repair Kit for M3400-3         | 3/4"        | £45.90 |
| M1100-72RK | Repair Kit for M1100-72        | 1"          | £62.50 |
| M1100RK    | Repair Kit for M1100           | 1"          | £49.00 |

**TENGTTOOLS**

**TTXEXT13 Extension bar set**

Set containing 6 extension bars (1/4", 3/8" and 1/2" drive), universal joints 1/4", 3/8" and 1/2", 3/8"- 1/4" adaptor, as well as a T handle and mini screwdrivers for tightening the retaining grub screws in the adaptors. The unique T handle can be used in conjunction with the extension bars to create a comfortable T handle grip for added torque and ease of use. (560x110x40mm, 2.0 kilos)



Stock No TTXEXT13 → Price **£104.40**

|             |            |  |
|-------------|------------|--|
| Accessories | 1/4" drive | 6" and 12" extensions, universal joint   |
|             | 3/8" drive | 3" wobble extension, 20" extension, universal joint, 3/8" F:1/4" M T bar adaptor |
|             | 1/2" drive | 3" wobble extension, 20" extension, universal joint                              |
| Accessories |            | T handle grip, 2.0mm hex and 2.5mm hex mini screwdrivers                         |



## Teng Tools Safety Locking Mechanism

3/4" drive sockets can be heavy and if they drop from the ratchet or an extension bar or accessory it can be a health and safety risk. To reduce the likelihood of this happening Teng Tools have introduced a range of 3/4" drive extension bars, a sliding T bar and a universal joint with a safety locking mechanism. This is a simple design which effectively locks the socket in place to prevent it falling off under its own weight. The safety locking accessories are available individually or as part of a 22 piece socket set or a TTX tray set. One more example of how Teng Tools works to create user friendly tools.



### TENGTTOOLS

#### Wobble Extension Bars

Chrome vanadium steel. Satin finish wobble bars that allows sockets to be turned at an angle, particularly useful in confined spaces

Extension Bars →



| Stock No.  | Drive | Type | DIN | Description              | Length mm | Weight g | Price  |
|------------|-------|------|-----|--------------------------|-----------|----------|--------|
| M380020W-C | 3/8"  | B    | -   | 3" wobble extension bar  | 75        | 63       | £7.00  |
| M380021W-C | 3/8"  | B    | -   | 6" wobble extension bar  | 150       | 145      | £9.40  |
| M380022W-C | 3/8"  | B    | -   | 10" wobble extension bar | 255       | 234      | £11.30 |
| M120020W-C | 1/2"  | B    | -   | 3" wobble extension bar  | 75        | 105      | £8.90  |
| M120021W-C | 1/2"  | B    | -   | 6" wobble extension bar  | 150       | 240      | £11.30 |
| M120022W-C | 1/2"  | B    | -   | 10" wobble extension bar | 255       | 420      | £15.00 |

### TENGTTOOLS

#### Extension Bars



| Stock No. | Drive | Type | DIN   | Description       | Length mm | Weight g | Price  |
|-----------|-------|------|-------|-------------------|-----------|----------|--------|
| M140024-C | 1/4"  | C    | 3123B | 12" extension bar | 305       | 126      | £10.40 |
| M380024-C | 3/8"  | C    | 3123B | 20" extension bar | 500       | 506      | £20.30 |
| M120024-C | 1/2"  | C    | 3123B | 20" extension bar | 500       | 855      | £22.70 |

### TENGTTOOLS

#### Extension Bars

| Stock No. | Drive | Type | DIN | Description  | Length mm | Weight g | Price |
|-----------|-------|------|-----|--|-----------|----------|-------|
| M800023-C | 3/8"  | D    | -   | 3" push through extension bar with 19mm external hex fitting | 75        | 100      | £9.60 |

Stock No M800023-C →



#### Extension Bars

Extension Bars with 1/4", 3/8" or 1/2" drive .  
Chrome vanadium steel.

| Stock No. | Drive | Description       | Length mm | Price |
|-----------|-------|-------------------|-----------|-------|
| 149287005 | 1/4"  | 2" extension bar  | 50        | £1.30 |
| 149287104 | 1/4"  | 4" extension bar  | 100       | £1.90 |
| 149287112 | 3/8"  | 3" extension bar  | 75        | £2.10 |
| 149287120 | 3/8"  | 6" extension bar  | 150       | £3.00 |
| 138010103 | 1/2"  | 3" extension bar  | 75        | £3.20 |
| 149289407 | 1/2"  | 5" extension bar  | 125       | £4.10 |
| 149289506 | 1/2"  | 10" extension bar | 250       | £7.40 |

**NEW!** Extension Bars →





**TENGTTOOLS**

**Universal Joints**

Chrome vanadium steel. Satin finish.

| Stock No. | Drive | DIN   | Description                | Length mm | Weight g | Price  |
|-----------|-------|-------|----------------------------|-----------|----------|--------|
| M140030-C | 1/4"  | 3123C | 1/4" drive universal joint | 33        | 23       | £10.40 |
| M380030-C | 3/8"  | 3123C | 3/8" drive universal joint | 50        | 65       | £12.10 |
| M120030-C | 1/2"  | 3123C | 1/2" drive universal joint | 69        | 165      | £13.50 |
| M340030-C | 3/4"  | 3123C | 3/4" drive universal joint | 115       | 570      | £36.40 |



Universal Joints →



**Universal Joints**

Universal joints with 1/4", 3/8" or 1/2" drive. Chrome vanadium steel.

| Stock No. | Drive | Length mm | Price |
|-----------|-------|-----------|-------|
| 149286809 | 1/4"  | 40        | £4.50 |
| 149286817 | 3/8"  | 52        | £4.50 |
| 149289209 | 1/2"  | 76        | £8.20 |



**NEW!** Universal Joints →

**TENGTTOOLS**

**Adaptors**

Chrome vanadium. Socket converters with T handle hole facility on most popular sizes. Satin finish.

| Stock No.  | DIN   | Drive | Description                    | T drive facility | Length mm | Weight g | Price  |
|------------|-------|-------|--------------------------------|------------------|-----------|----------|--------|
| M140036-C  | -     | 1/4"  | 1/4" female: 3/8" male adaptor | No               | 25.0      | 20       | £3.10  |
| M140037    | -     | 1/4"  | 1/4" male: 1/4" hex adaptor    | No               | 25.0      | 3        | £3.40  |
| M380035-C  | 3123A | 3/8"  | 3/8" female: 1/4" male adaptor | Yes              | 25.4      | 20       | £5.80  |
| M380036-C  | 3123A | 3/8"  | 3/8" female: 1/2" male adaptor | Yes              | 36.0      | 45       | £6.20  |
| MS380036-C | 3123A | 3/8"  | 3/8" female: 1/2" male adaptor | Yes              | 36.0      | 45       | £27.90 |
| M380037    | -     | 3/8"  | hex:3/8" male adaptor          | No               | 32.0      | 14       | £6.10  |
| M120036-C  | 3123A | 1/2"  | 1/2" female: 3/8" male adaptor | Yes              | 39.5      | 55       | £5.60  |
| MS120036-C | 3123A | 1/2"  | 1/2" female: 3/8" male adaptor | Yes              | 39.5      | 55       | £27.90 |
| M120037-C  | 3123A | 1/2"  | 1/2" female: 3/4" male adaptor | No               | 39.5      | 55       | £12.10 |
| M340085-C  | -     | 3/4"  | 3/4" female: 1" male adaptor   | No               | 62.0      | 370      | £16.20 |
| M340086-C  | 3123A | 3/4"  | 3/4" female: 1/2" male adaptor | Yes              | 40.0      | 52       | £14.70 |
| M110030    | -     | 1"    | 1" drive T bar adaptor         | Yes              | 82.0      | 620      | £25.20 |



Adaptors →

**TENGTTOOLS**

**Coupler Adaptors**

Coupler adaptors for Teng Tools bits.

| Stock No. | Drive | DIN  | Description                        | Length mm | Weight g | Price |
|-----------|-------|------|------------------------------------|-----------|----------|-------|
| M140060-C | 1/4"  | 3126 | coupler adaptor for 1/4" hex bits  | 25        | 20       | £3.70 |
| M380060-C | 3/8"  | 3126 | coupler adaptor for 1/4" hex bits  | 28        | 32       | £4.20 |
| M380061-C | 3/8"  | 3126 | coupler adaptor for 10mm hex bits  | 28        | 32       | £5.40 |
| M120060-C | 1/2"  | 3126 | coupler adaptor for 5/16" hex bits | 38        | 88       | £5.80 |
| M120061-C | 1/2"  | 3126 | coupler adaptor for 10mm hex bits  | 38        | 56       | £7.50 |
| M120062-C | 1/2"  | 3126 | coupler adaptor for 12mm hex bits  | 38        | 62       | £9.10 |



Coupler Adaptors →





## TENGOOLS

### Sliding T Bars

Chrome vanadium steel. Satin finish.

Sliding T Bars →



| Stock No.  | Drive | DIN   | Description                                 | Length mm | Weight g | Price  |
|------------|-------|-------|---|-----------|----------|--------|
| M140050-C  | 1/4"  | 3122A | 1/4" drive sliding T Bar                    | 106       | 40       | £4.40  |
| M380050-C  | 3/8"  | 3122A | 3/8" drive sliding T Bar                    | 170       | 122      | £11.40 |
| M120050-C  | 1/2"  | 3122A | 1/2" drive sliding T Bar                    | 243       | 300      | £12.10 |
| M340050-C  | 3/4"  | 3122A | 3/4" drive sliding T Bar                    | 450       | 450      | £31.60 |
| M340050S-C | 3/4"  | 3122A | Sliding T Bar with safety locking mechanism | 450       | 450      | £41.90 |



### Sliding T Bars

Sliding T bars with 1/4" or 1/2" drive. Chrome vanadium steel.

| Stock No. | Drive | Length mm | Price |
|-----------|-------|-----------|-------|
| 149286908 | 1/4"  | 115       | £3.20 |
| 149289308 | 1/2"  | 250       | £8.30 |

**NEW!** Sliding T Bars →



## TENGOOLS

### Speed Braces

Chrome vanadium steel. Satin finish. Plastic handle.

Speed Braces →



| Stock No. | Drive | DIN | Description | Length mm | Weight g | Price  |
|-----------|-------|-----|-------------|-----------|----------|--------|
| M380011-C | 3/8"  | -   | speed brace | 380       | 310      | £15.10 |
| M120011-C | 1/2"  | -   | speed brace | 420       | 585      | £23.60 |

## TENGOOLS

### Drivers

**MD514 Flexible screwdriver handle** with 1/4" square drive for bit sockets and standard sockets. Black plastic handle with external hexagonal grip for tightening with a spanner. Only for right hand action (permitted load 5 Nm).

**M140015-C and M380015-C** with square drive for sockets and socket tools the handle part has internal square drive for connection, e.g. a T handle.

**PT3810R** with 3/8" square drive for sockets and socket tools. Two part plastic handle. Handle part has internal 3/8" square drive for connection to a ratchet handle or sliding T bar.

Drivers →



| Stock No. | Drive | DIN   | Description  | Length mm | Weight g | Price  |
|-----------|-------|-------|--|-----------|----------|--------|
| MD514     | 1/4"  | -     | flexi handle                                       | 275       | 100      | £10.10 |
| M140015-C | 1/4"  | 3122E | 6" spinner handle                                  | 150       | 80       | £10.10 |
| M380015-C | 3/8"  | 3122E | 10" spinner handle                                 | 255       | 280      | £14.70 |
| PT3810R   | 3/8"  | 3122E | rotating spinner handle extension with power drive | 253       | 302      | £16.00 |



### 1/4" drive spinner handle

Designed for 1/4" drive sockets and accessories, bi-material handle for extra grip

**NEW!** Stock No 149287302 → Price £2.40



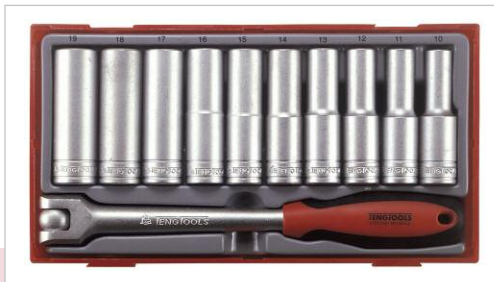


**TENGTTOOLS**

**TT1211 1/2" drive deep socket set**

Set containing 10 12 point deep 1/2" drive sockets and 10" flex handle.  
(265x142x50mm, 2.0 kilos)

|              |                     |  |
|--------------|---------------------|--|
| Accessories  | 1/2" drive          | 10" flex handle                          |
| Deep sockets | 1/2" drive 12 point | 10, 11, 12, 13, 14, 15, 16, 17, 18, 19mm |



Stock No TT1211 → Price **£71.30**

**TENGTTOOLS**

**Flex Handles**

Chrome vanadium steel. Satin finish. Two component handle.



Flex Handles →

| Stock No.  | Drive | DIN   | Description                                   | Length mm | Weight g | Price  |
|------------|-------|-------|---|-----------|----------|--------|
| M380010A-C | 3/8"  | -     | 10" flex handle                               | 250       | 375      | £20.60 |
| M120010-C  | 1/2"  | 3122F | 10" flex handle                               | 265       | 492      | £23.40 |
| 1201       | 1/2"  | -     | 17" flex handle                               | 450       | 894      | £33.80 |
| 1201A      | 1/2"  | -     | 24" flex handle                               | 600       | 1198     | £51.40 |
| M340070-C  | 3/4"  | 3122F | 19" flex handle                               | 480       | 1880     | £54.30 |
| M340070S-C | 3/4"  | 3122F | 19" flex handle with safety locking mechanism | 480       | 1880     | £61.60 |

**TENGTTOOLS**

**Spark Plug Sockets**

6 point chrome vanadium sockets, with rubber insert. Satin finish.

| Stock No. | Drive | Description                             | Thread size | Length mm | Weight g | Price  |
|-----------|-------|---|-------------|-----------|----------|--------|
| M380039-C | 3/8"  | 6 point 14mm spark plug socket          | 14          | 64        | 73       | £5.40  |
| M380040-C | 3/8"  | 6 point 16mm spark plug socket          | 10          | 64        | 100      | £5.00  |
| M380041-C | 3/8"  | 6 point 16mm flexible spark plug socket | 10          | 85        | 117      | £13.20 |
| M380042-C | 3/8"  | 6 point 18mm spark plug socket          | 12          | 70        | 130      | £5.30  |
| M380046-C | 3/8"  | 6 point 21mm spark plu socket           | 14          | 70        | 160      | £5.60  |
| M380047-C | 3/8"  | 6 point 21mm flexible spark plug socket | 14          | 91        | 169      | £12.80 |
| M120040-C | 1/2"  | 6 point 16mm spark plug socket          | 10          | 70        | 165      | £5.80  |
| M120042-C | 1/2"  | 6 point 18mm spark plug socket          | 12          | 70        | 165      | £6.10  |
| M120046-C | 1/2"  | 6 point 21mm spark plug socket          | 14          | 70        | 165      | £7.50  |



Spark Plug Sockets →

**TENGTTOOLS**

**Accessories**

| Stock No. | Drive | DIN | Description   | Length mm | Weight g | Price  |
|-----------|-------|-----|---|-----------|----------|--------|
| M120080-C | 1/2"  | -   | 1/2" drive flex head adaptor                                      | 70        | 188      | £14.70 |
| T-HD      | 3/8"  | -   | for use with extension bars to form a comfortable to use T handle | 120       | 32       | £5.50  |



Stock No M120080-C & T-HD →





## Square Drives - Sockets & Accessories

The Teng Tools socketry range covers 1/4" through to 1" drive and includes 6 point and 12 point, metric and AF as well as TX-E. A wide selection of bit sockets for hex, TX and TPX is further complimented by a range of bit adaptors for use with the extensive range of bits featured in the screwdriver section of this catalogue.

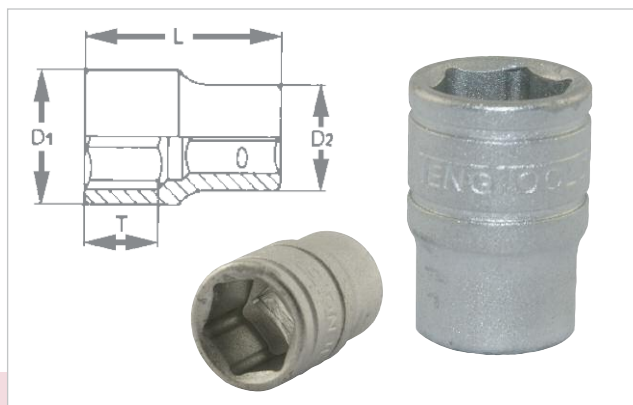
- All Teng Tools sockets and accessories are individually branded and made from high quality chrome vanadium steel to conform to all the latest DIN and ISO standards.
- Each socket and accessory is supplied on a PP card which for 1/4", 3/8" and 1/2" drive includes a socket clip for use on the Teng Tools aluminium clip rails enabling users to build their own individual clip rail sets to suit their own specific requirements.
- Extensions are available with wobble or square ends
- Safety locking system in 3/4" drive to prevent sockets detaching from extension bars accidentally.
- All sockets feature the Teng Tools "hip grip" system where the socket drives on the flat rather than on the corner. A system that helps prevent damage to fastenings and helps grip nuts and bolts where the hexagon has been previously damaged.
- Grub screw fixings on many accessories for added security when working in hard to reach places.
- 3 way adaptors that convert from one drive to another but also include a T bar facility using a Teng Tools extension bar.
- Spinner handles with a female drive for added torque.

### TENGOOLS®

#### 1/4" Drive Metric Sockets

1/4" drive metric sockets, regular, 6 point, DIN 3120/3124/ISO 2725 Chrome vanadium. Satin Finish.

| Stock no.  | Size<br>mm | L<br>mm | T<br>mm | D1<br>mm | D2<br>mm | Weight<br>g | Price |
|------------|------------|---------|---------|----------|----------|-------------|-------|
| M140504-C  | 4          | 25.0    | 3.6     | 6.9      | 12.0     | 10          | £3.00 |
| M1405045-C | 4.5        | 25.0    | 3.6     | 7.5      | 12.0     | 12          | £3.00 |
| M140505-C  | 5          | 25.0    | 4.2     | 8.1      | 12.0     | 12          | £3.00 |
| M1405055-C | 5.5        | 25.0    | 4.2     | 8.8      | 12.0     | 12          | £3.00 |
| M140506-C  | 6          | 25.0    | 4.8     | 9.4      | 12.0     | 12          | £3.00 |
| M140507-C  | 7          | 25.0    | 4.0     | 10.9     | 12.0     | 13          | £3.00 |
| M140508-C  | 8          | 25.0    | 4.0     | 12.0     | 12.0     | 13          | £3.00 |
| M140509-C  | 9          | 25.0    | 4.5     | 13.2     | 13.2     | 18          | £3.00 |
| M140510-C  | 10         | 25.0    | 6.0     | 14.7     | 14.7     | 19          | £3.00 |
| M140511-C  | 11         | 25.0    | 6.0     | 16.0     | 16.0     | 22          | £3.00 |
| M140512-C  | 12         | 25.0    | 7.0     | 16.9     | 16.9     | 25          | £3.00 |
| M140513-C  | 13         | 25.0    | 7.5     | 17.7     | 17.7     | 28          | £3.00 |



#### 1/4" Drive Metric Sockets →

| Stock No. | Size<br>mm | Price |
|-----------|------------|-------|
| 149286213 | 4          | £1.20 |
| 149286221 | 4.5        | £1.20 |
| 149286239 | 5          | £1.20 |
| 149286247 | 5.5        | £1.20 |
| 149286254 | 6          | £1.20 |
| 149286262 | 7          | £1.20 |
| 149286270 | 8          | £1.20 |
| 149286288 | 9          | £1.20 |
| 149286296 | 10         | £1.30 |
| 149286304 | 11         | £1.30 |
| 149286312 | 12         | £1.50 |
| 149286320 | 13         | £1.50 |
| 149286338 | 14         | £1.70 |



#### 1/4" Drive Sockets

Regular sockets with 1/4" drive. Chrome vanadium steel. 6 point. Fully polished.



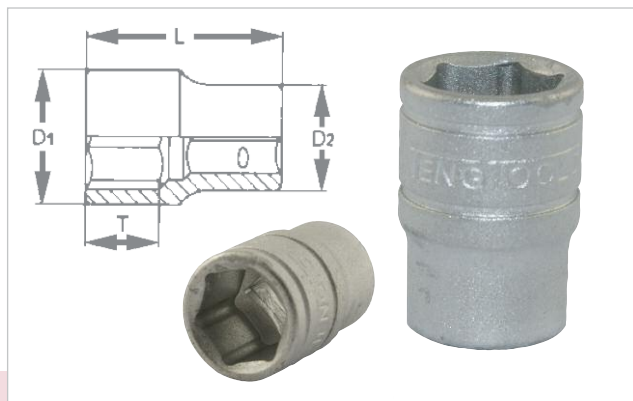
#### NEW! 1/4" Drive Metric Sockets →

### TENGOOLS®

#### 1/4" Drive AF Sockets

1/4" drive AF sockets, regular 6 point, DIN 3120/3124/ISO 2725 Chrome vanadium. Satin Finish.

| Stock no. | Size   | L<br>mm | T<br>mm | D1<br>mm | D2<br>mm | Weight<br>g | Price |
|-----------|--------|---------|---------|----------|----------|-------------|-------|
| M140106-C | 3/16"  | 25.0    | 3.6     | 8.0      | 12.0     | 12          | £3.00 |
| M140107-C | 7/32"  | 25.0    | 4.2     | 8.8      | 12.0     | 12          | £3.00 |
| M140108-C | 1/4"   | 25.0    | 4.8     | 10.0     | 12.0     | 12          | £3.00 |
| M140109-C | 9/32"  | 25.0    | 4.0     | 10.9     | 12.0     | 13          | £3.00 |
| M140110-C | 5/16"  | 25.0    | 4.0     | 12.0     | 12.0     | 13          | £3.00 |
| M140111-C | 11/32" | 25.0    | 4.5     | 13.2     | 13.2     | 18          | £3.00 |
| M140112-C | 3/8"   | 25.0    | 4.5     | 14.7     | 14.4     | 19          | £3.00 |
| M140114-C | 7/16"  | 25.0    | 6.0     | 16.0     | 16.0     | 22          | £3.00 |
| M140116-C | 1/2"   | 25.0    | 7.2     | 17.7     | 17.7     | 28          | £3.00 |



#### 1/4" Drive AF Sockets →

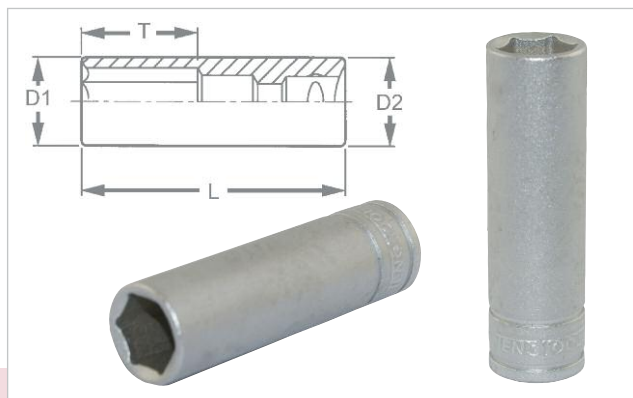


**TENGTTOOLS**

**1/4" Drive Metric Sockets**

1/4" drive metric sockets, deep 6 point, DIN 3120/3124/ISO 2725 Chrome vanadium, Satin Finish.

| Stock no.  | Size<br>mm | L<br>mm | T<br>mm | D1<br>mm | D2<br>mm | Weight<br>g | Price |
|------------|------------|---------|---------|----------|----------|-------------|-------|
| M140604-C  | 4          | 49.5    | 5.0     | 8.0      | 11.8     | 23          | £4.60 |
| M140605-C  | 5          | 49.5    | 5.5     | 8.0      | 11.8     | 25          | £4.60 |
| M1406055-C | 5.5        | 49.5    | 5.5     | 8.8      | 11.8     | 26          | £4.60 |
| M140606-C  | 6          | 49.5    | 6.5     | 9.4      | 11.8     | 26          | £4.60 |
| M140607-C  | 7          | 49.5    | 10.5    | 10.9     | 11.8     | 27          | £4.60 |
| M140608-C  | 8          | 49.5    | 10.5    | 11.8     | 11.8     | 30          | £4.60 |
| M140609-C  | 9          | 49.5    | 11.5    | 12.8     | 12.8     | 37          | £4.60 |
| M140610-C  | 10         | 49.5    | 13.0    | 14.5     | 14.5     | 38          | £4.60 |
| M140611-C  | 11         | 49.5    | 14.0    | 15.6     | 15.6     | 43          | £4.60 |
| M140612-C  | 12         | 49.5    | 15.0    | 16.6     | 16.6     | 46          | £4.60 |
| M140613-C  | 13         | 49.5    | 17.0    | 17.6     | 17.6     | 48          | £4.60 |



1/4" Drive Deep Metric Sockets →

| Stock No. | Size<br>mm | Price |
|-----------|------------|-------|
| 149286346 | 4          | £1.90 |
| 149286353 | 4.5        | £1.90 |
| 149286361 | 5          | £1.90 |
| 149286379 | 5.5        | £1.90 |
| 149286387 | 6          | £1.90 |
| 149286395 | 7          | £1.90 |
| 149286403 | 8          | £1.90 |
| 149286411 | 9          | £1.90 |
| 149286429 | 10         | £1.90 |
| 149286437 | 11         | £1.90 |
| 149286445 | 12         | £2.10 |
| 149286452 | 13         | £2.20 |
| 149286460 | 14         | £2.60 |



**1/4" Drive Deep Sockets**

Deep sockets with 1/4" drive. Chrome vanadium steel. 6 point. Fully polished.



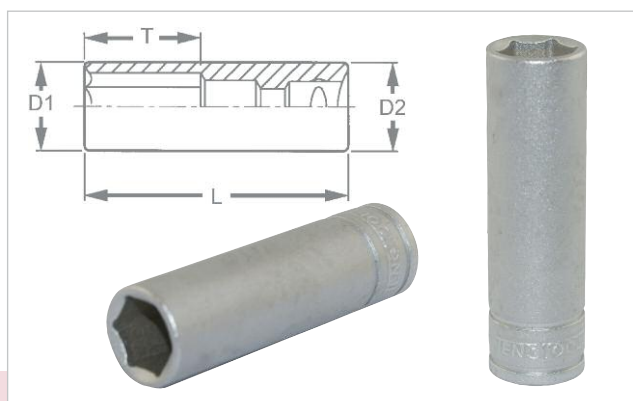
**NEW!** 1/4" Drive Deep Metric Sockets →

**TENGTTOOLS**

**1/4" Drive AF Sockets**

1/4" drive AF sockets, deep 6 point, DIN 3120/3124/ISO 2725 Chrome vanadium. Satin Finish.

| Stock no. | Size   | L<br>mm | T<br>mm | D1<br>mm | D2<br>mm | Weight<br>g | Price |
|-----------|--------|---------|---------|----------|----------|-------------|-------|
| M140206-C | 3/16"  | 49.5    | 5.0     | 8.0      | 11.8     | 24          | £4.60 |
| M140207-C | 7/32"  | 49.5    | 5.5     | 8.8      | 11.8     | 26          | £4.60 |
| M140208-C | 1/4"   | 49.5    | 6.5     | 10.0     | 11.8     | 27          | £4.60 |
| M140209-C | 9/32"  | 49.5    | 5.5     | 8.8      | 11.8     | 26          | £4.60 |
| M140210-C | 5/16"  | 49.5    | 10.5    | 11.8     | 11.8     | 30          | £4.60 |
| M140211-C | 11/32" | 49.5    | 11.5    | 12.8     | 11.8     | 34          | £4.60 |
| M140212-C | 3/8"   | 49.5    | 12.5    | 14.5     | 14.5     | 37          | £4.60 |
| M140214-C | 7/16"  | 49.5    | 14.5    | 15.8     | 15.8     | 44          | £4.60 |
| M140216-C | 1/2"   | 49.5    | 16.5    | 17.6     | 17.6     | 48          | £4.60 |



1/4" Drive Deep AF Sockets →

**TENGTTOOLS**

**1/4" Drive TX-E Sockets**

1/4" drive TX-E sockets. Chrome vanadium. Satin Finish.

| Stock no. | Size | Size<br>mm | L<br>mm | T<br>mm | D1<br>mm | D2<br>mm | Weight<br>g | Price |
|-----------|------|------------|---------|---------|----------|----------|-------------|-------|
| M140704-C | E4   | 3.86       | 23.1    | 3.5     | 12.0     | 12.0     | 7           | £3.40 |
| M140705-C | E5   | 4.75       | 24.8    | 4.5     | 12.0     | 12.0     | 8           | £3.40 |
| M140706-C | E6   | 5.74       | 24.8    | 4.5     | 12.0     | 12.0     | 9           | £3.40 |
| M140707-C | E7   | 6.22       | 24.8    | 5.6     | 12.0     | 12.0     | 10          | £3.40 |
| M140708-C | E8   | 7.52       | 24.8    | 6.0     | 12.0     | 12.0     | 10          | £3.40 |



1/4" Drive TX-E Sockets →



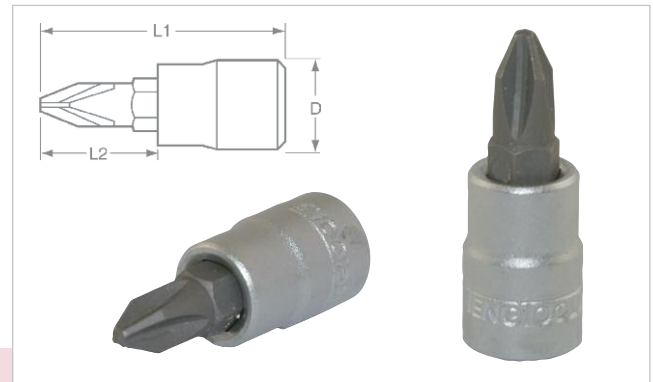
## TENGOOLS

### 1/4" Drive PH S2 Sockets

1/4" drive PH S2 socket bits DIN 5260 Chrome vanadium. Satin Finish.

| Stock no. | Size | L1<br>mm | L2<br>mm | D<br>mm | Weight<br>g | Price |
|-----------|------|----------|----------|---------|-------------|-------|
| M141300-C | PH0  | 32.0     | 15.0     | 12.0    | 13          | £3.00 |
| M141301-C | PH1  | 32.0     | 15.0     | 12.0    | 13          | £3.00 |
| M141302-C | PH2  | 32.0     | 15.0     | 12.0    | 13          | £3.00 |
| M141303-C | PH3  | 32.0     | 15.0     | 12.0    | 13          | £3.00 |

1/4" Drive PH Sockets →



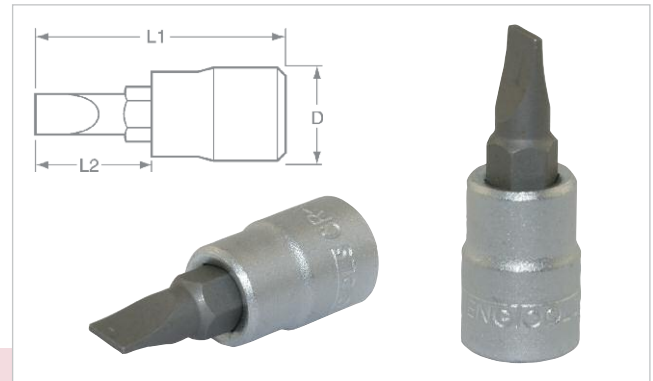
## TENGOOLS

### 1/4" Drive Flat S2 Sockets

1/4" drive flat S2 socket bits DIN 5264. Chrome vanadium. Satin Finish.

| Stock no.  | Width<br>mm | Thickness<br>mm | L1<br>mm | L2<br>mm | D<br>mm | Weight<br>g | Price |
|------------|-------------|-----------------|----------|----------|---------|-------------|-------|
| M141404-C  | 4.0         | 0.76            | 32.0     | 15.0     | 12.0    | 13          | £3.00 |
| M1414055-C | 5.5         | 0.99            | 32.0     | 15.0     | 12.0    | 13          | £3.00 |
| M141407-C  | 7.0         | 1.4             | 32.0     | 15.0     | 12.0    | 14          | £3.00 |

1/4" Drive Flat Sockets →



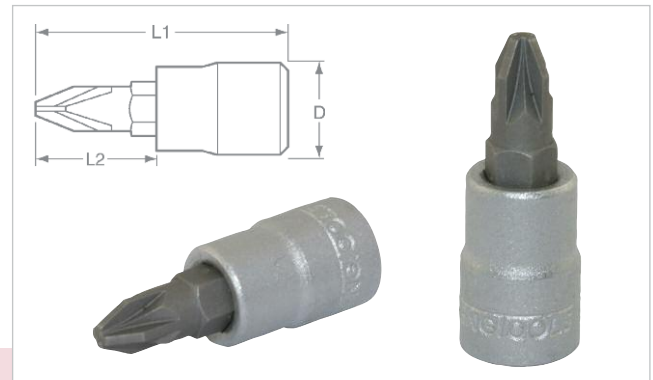
## TENGOOLS

### 1/4" Drive PZ S2 Sockets

1/4" drive PZ S2 socket bits. Chrome vanadium. Satin Finish.

| Stock No. | Size | L1<br>mm | L2<br>mm | D<br>mm | Weight<br>g | Price |
|-----------|------|----------|----------|---------|-------------|-------|
| M141601-C | PZ1  | 32.0     | 15.0     | 12.0    | 13          | £3.00 |
| M141602-C | PZ2  | 32.0     | 15.0     | 12.0    | 13          | £3.00 |
| M141603-C | PZ3  | 32.0     | 15.0     | 12.0    | 13          | £3.00 |

1/4" Drive PZ Sockets →



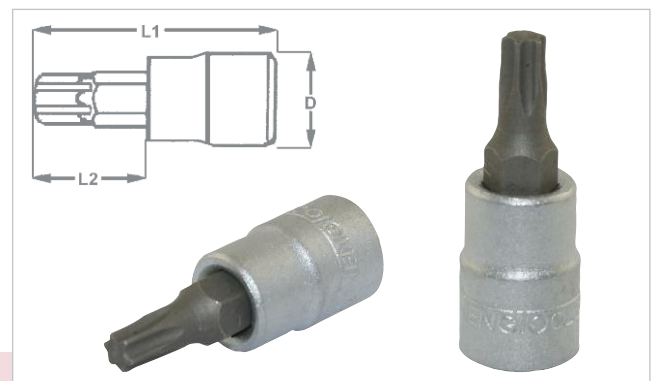
## TENGOOLS

### 1/4" Drive TX S2 Sockets

1/4" drive TX S2 socket bits. Chrome vanadium. Satin Finish.

| Stock no.  | Size | Size<br>mm | L1<br>mm | L2<br>mm | D<br>mm | Weight<br>g | Price |
|------------|------|------------|----------|----------|---------|-------------|-------|
| M141210T-C | TX10 | 2.5        | 32.0     | 15.0     | 12.0    | 13          | £3.00 |
| M141215T-C | TX15 | 3.0        | 32.0     | 15.0     | 12.0    | 13          | £3.00 |
| M141220T-C | TX20 | 3.5        | 32.0     | 15.0     | 12.0    | 13          | £3.00 |
| M141225T-C | TX25 | 4.5        | 32.0     | 15.0     | 12.0    | 13          | £3.00 |
| M141227T-C | TX27 | 5.0        | 32.0     | 15.0     | 12.0    | 14          | £3.00 |
| M141230T-C | TX30 | 5.5        | 32.0     | 15.0     | 12.0    | 14          | £3.00 |
| M141240T-C | TX40 | 6.5        | 32.0     | 15.0     | 12.0    | 14          | £3.00 |

1/4" Drive TX Sockets →



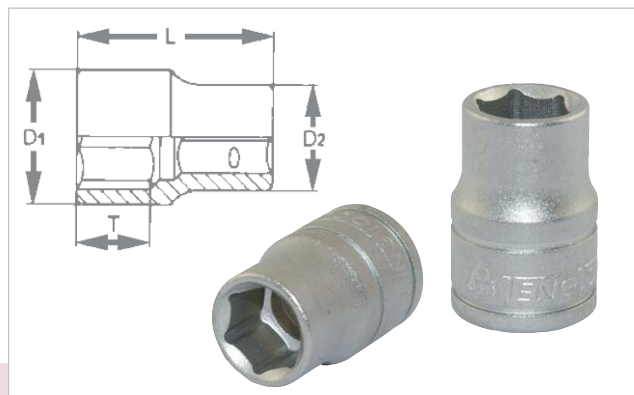


**TENGTTOOLS**

**3/8" Drive Metric Sockets**

3/8" drive metric sockets regular 6 point, DIN 3120/3124/ISO 2725. Chrome vanadium. Satin Finish.

| Stock no. | Size<br>mm | L<br>mm | T<br>mm | D1<br>mm | D2<br>mm | Weight<br>g | Price |
|-----------|------------|---------|---------|----------|----------|-------------|-------|
| M380507-C | 7          | 25.7    | 4.0     | 10.8     | 17.1     | 21          | £3.30 |
| M380508-C | 8          | 25.7    | 4.5     | 12.0     | 17.1     | 25          | £3.40 |
| M380509-C | 9          | 25.7    | 5.0     | 13.1     | 17.1     | 26          | £3.40 |
| M380510-C | 10         | 25.7    | 5.0     | 14.7     | 17.1     | 26          | £3.50 |
| M380511-C | 11         | 25.7    | 7.0     | 16.0     | 17.1     | 26          | £3.50 |
| M380512-C | 12         | 25.7    | 7.0     | 17.1     | 17.1     | 29          | £3.50 |
| M380513-C | 13         | 25.7    | 7.0     | 18.3     | 18.3     | 32          | £3.50 |
| M380514-C | 14         | 25.7    | 9.0     | 19.5     | 19.5     | 40          | £3.50 |
| M380515-C | 15         | 25.7    | 10.0    | 20.4     | 20.4     | 43          | £3.50 |
| M380516-C | 16         | 29.0    | 10.0    | 22.1     | 22.1     | 43          | £4.00 |
| M380517-C | 17         | 29.0    | 10.0    | 23.3     | 23.3     | 50          | £4.00 |
| M380518-C | 18         | 29.0    | 15.5    | 24.2     | 20.0     | 56          | £4.10 |
| M380519-C | 19         | 29.0    | 15.5    | 25.7     | 21.0     | 64          | £4.20 |
| M380520-C | 20         | 29.0    | 15.5    | 26.7     | 22.0     | 71          | £4.20 |
| M380521-C | 21         | 29.0    | 15.5    | 27.7     | 23.0     | 78          | £4.70 |
| M380522-C | 22         | 29.0    | 15.5    | 29.8     | 24.0     | 82          | £4.70 |



3/8" Drive Metric Sockets →

| Stock No. | Size<br>mm | Price |
|-----------|------------|-------|
| 173280108 | 6          | £1.40 |
| 173280207 | 7          | £1.40 |
| 173280306 | 8          | £1.40 |
| 173280405 | 9          | £1.40 |
| 173280504 | 10         | £1.40 |
| 173280603 | 11         | £1.40 |
| 173280702 | 12         | £1.40 |
| 173280801 | 13         | £1.40 |
| 173280900 | 14         | £1.50 |
| 173281007 | 15         | £1.60 |
| 173281106 | 16         | £1.60 |
| 173281205 | 17         | £1.80 |
| 173281304 | 18         | £2.00 |
| 173281403 | 19         | £2.00 |
| 173281502 | 20         | £2.20 |
| 173281601 | 21         | £2.20 |
| 173281700 | 22         | £2.30 |



**3/8" Sockets**

Regular sockets with 3/8" drive. Chrome vanadium steel, 6 point, fully polished.



**NEW!** 3/8" Drive Metric Sockets →

**TENGTTOOLS**

**3/8" Drive Stainless Steel Sockets**

3/8" drive metric stainless steel sockets, 6 point

Produced in accordance with DIN3120/3124/ISO2725. Satin finish and laser marked for brand and size. Ideal for the food, medical, aerospace and marine industries or for use in any acidic environment.

| Stock No.  | Size<br>mm | D2<br>mm | L<br>mm | D1<br>mm | T<br>mm | Weight<br>g | Price  |
|------------|------------|----------|---------|----------|---------|-------------|--------|
| MS380508-C | 8          | 16.8     | 26.0    | 12.2     | 6.0     | 22          | £11.90 |
| MS380509-C | 9          | 16.8     | 26.0    | 12.3     | 6.0     | 22          | £11.90 |
| MS380510-C | 10         | 16.8     | 26.0    | 12.4     | 6.0     | 23          | £11.90 |
| MS380511-C | 11         | 16.8     | 26.0    | 12.4     | 7.0     | 25          | £11.90 |
| MS380512-C | 12         | 16.5     | 26.0    | 9.6      | 7.4     | 24          | £11.90 |
| MS380513-C | 13         | 17.5     | 26.0    | 9.6      | 7.4     | 28          | £13.00 |
| MS380514-C | 14         | 17.8     | 26.0    | 9.6      | 10.5    | 29          | £13.30 |
| MS380515-C | 15         | 18.0     | 26.0    | 9.6      | 11.5    | 30          | £14.10 |
| MS380516-C | 16         | 18.5     | 29.0    | 10.7     | 13.0    | 41          | £16.90 |
| MS380517-C | 17         | 19.0     | 29.0    | 10.7     | 13.0    | 44          | £17.40 |
| MS380518-C | 18         | 20.0     | 29.0    | 10.7     | 13.0    | 47          | £19.20 |
| MS380519-C | 19         | 21.0     | 29.0    | 10.7     | 13.5    | 54          | £19.60 |



3/8" Drive Stainless Steel Sockets →

**TENG TOOLS WORKING WITH WINNERS**



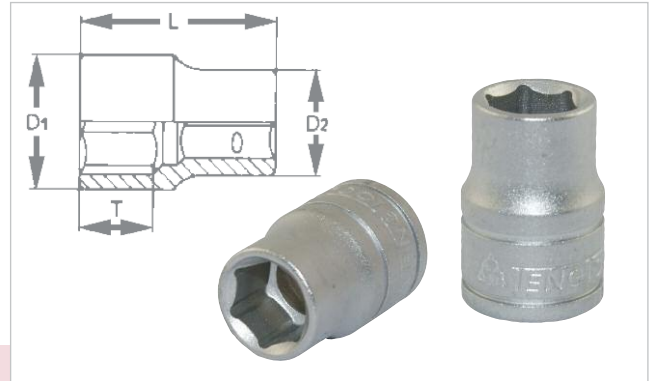
## TENGTTOOLS

### 3/8" Drive AF Sockets

3/8" drive AF sockets regular 6 point, DIN 3120/3124/ISO 2725.  
Chrome vanadium. Satin Finish.

| Stock no. | Size   | L<br>mm | T<br>mm | D1<br>mm | D2<br>mm | Weight<br>g | Price |
|-----------|--------|---------|---------|----------|----------|-------------|-------|
| M380110-C | 5/16"  | 25.7    | 4.5     | 11.7     | 17.1     | 23          | £3.40 |
| M380112-C | 3/8"   | 25.7    | 5.0     | 14.2     | 17.1     | 24          | £3.40 |
| M380114-C | 7/16"  | 25.7    | 7.0     | 16.3     | 17.1     | 26          | £3.40 |
| M380116-C | 1/2"   | 25.7    | 7.0     | 18.3     | 18.3     | 34          | £3.50 |
| M380118-C | 9/16"  | 25.7    | 9.0     | 19.5     | 19.5     | 38          | £3.50 |
| M380120-C | 5/8"   | 29.0    | 10.0    | 22.1     | 22.1     | 46          | £3.70 |
| M380122-C | 11/16" | 29.0    | 10.0    | 24.2     | 20.0     | 50          | £4.00 |
| M380124-C | 3/4"   | 29.0    | 12.0    | 25.7     | 21.0     | 60          | £4.10 |
| M380126-C | 13/16" | 29.0    | 13.0    | 27.7     | 23.0     | 68          | £4.20 |
| M380128-C | 7/8"   | 29.0    | 13.0    | 29.5     | 24.0     | 75          | £4.40 |

#### 3/8" Drive AF Sockets →



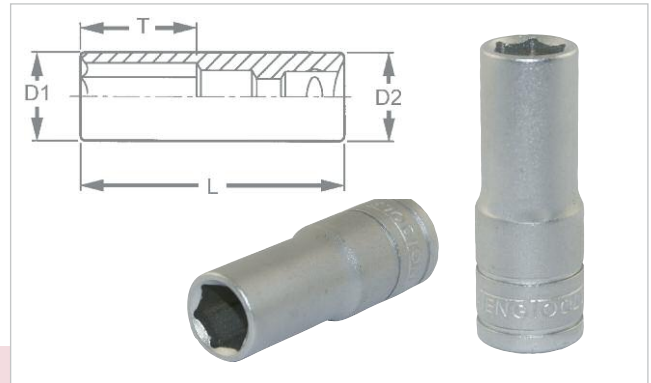
| Stock no. | Size<br>mm | L<br>mm | T<br>mm | D1<br>mm | D2<br>mm | Weight<br>g | Price |
|-----------|------------|---------|---------|----------|----------|-------------|-------|
| M380607-C | 7          | 45.5    | 10.0    | 10.8     | 16.5     | 40          | £5.60 |
| M380608-C | 8          | 45.5    | 12.0    | 12.0     | 16.5     | 50          | £5.60 |
| M380609-C | 9          | 45.5    | 14.0    | 13.1     | 16.5     | 55          | £5.60 |
| M380610-C | 10         | 45.5    | 15.0    | 14.7     | 16.5     | 60          | £5.60 |
| M380611-C | 11         | 45.5    | 17.0    | 16.5     | 16.5     | 70          | £5.60 |
| M380612-C | 12         | 45.5    | 18.0    | 17.1     | 17.1     | 75          | £5.60 |
| M380613-C | 13         | 45.5    | 18.0    | 18.5     | 18.5     | 85          | £5.80 |
| M380614-C | 14         | 50.0    | 18.0    | 19.5     | 19.5     | 95          | £5.80 |
| M380615-C | 15         | 53.0    | 20.0    | 20.4     | 20.4     | 100         | £5.80 |
| M380616-C | 16         | 53.0    | 20.0    | 22.0     | 22.0     | 105         | £6.70 |
| M380617-C | 17         | 56.0    | 20.0    | 23.3     | 23.3     | 120         | £6.90 |
| M380618-C | 18         | 56.0    | 20.0    | 24.2     | 23.0     | 125         | £6.90 |
| M380619-C | 19         | 56.0    | 20.0    | 25.7     | 24.0     | 130         | £7.60 |
| M380620-C | 20         | 63.5    | 22.0    | 26.8     | 25.0     | 140         | £7.60 |
| M380621-C | 21         | 63.5    | 22.0    | 27.7     | 26.0     | 165         | £7.90 |
| M380622-C | 22         | 63.5    | 22.0    | 29.5     | 27.0     | 165         | £7.90 |

#### 3/8" Drive Metric Deep Sockets →

## TENGTTOOLS

### 3/8" Drive Metric Sockets

3/8" drive metric sockets deep 6 point, DIN 3120/3124/ISO 2725.  
Chrome vanadium. Satin Finish.



| Stock No. | Size<br>mm | Price |
|-----------|------------|-------|
| 173290107 | 8          | £2.30 |
| 173290206 | 9          | £2.30 |
| 173290305 | 10         | £2.30 |
| 173290404 | 11         | £2.30 |
| 173290503 | 12         | £2.50 |
| 173290602 | 13         | £2.60 |
| 173290701 | 14         | £2.70 |
| 173290800 | 15         | £2.80 |
| 173290909 | 16         | £2.80 |
| 173291006 | 17         | £3.20 |
| 173291105 | 18         | £3.50 |
| 173291204 | 19         | £3.50 |
| 173291303 | 20         | £3.90 |
| 173291402 | 21         | £3.90 |
| 173291501 | 22         | £4.10 |



### 3/8" Deep Sockets

Deep sockets, with 3/8" drive. Chrome vanadium steel,  
6 point, fully polished.



#### NEW! 3/8" Drive Metric Deep Sockets →

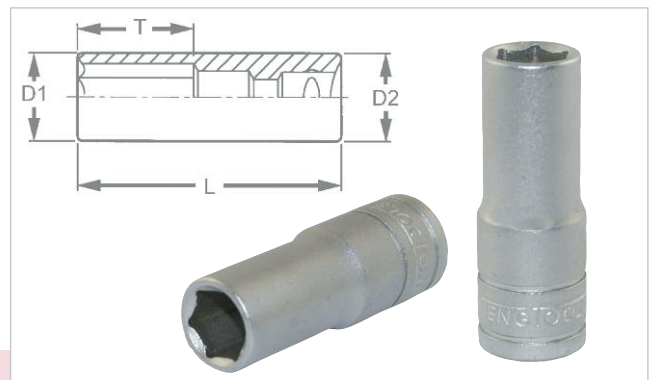
## TENGTTOOLS

### 3/8" Drive Sockets

3/8" drive AF sockets deep 6 point, DIN 3120/3124/ISO 2725.  
Chrome vanadium, Satin Finish.

| Stock no. | Size   | L<br>mm | T<br>mm | D1<br>mm | D2<br>mm | Weight<br>g | Price |
|-----------|--------|---------|---------|----------|----------|-------------|-------|
| M380212-C | 3/8"   | 45.5    | 15.0    | 14.2     | 16.5     | 43          | £5.40 |
| M380214-C | 7/16"  | 45.5    | 17.0    | 16.5     | 16.5     | 50          | £5.40 |
| M380216-C | 1/2"   | 45.5    | 18.0    | 18.5     | 18.5     | 62          | £5.40 |
| M380218-C | 9/16"  | 50.0    | 18.0    | 19.5     | 19.5     | 72          | £5.40 |
| M380220-C | 5/8"   | 53.0    | 20.0    | 22.0     | 22.0     | 97          | £5.60 |
| M380222-C | 11/16" | 56.0    | 20.0    | 24.2     | 24.2     | 125         | £6.50 |
| M380224-C | 3/4"   | 56.0    | 22.0    | 25.7     | 25.7     | 130         | £7.40 |
| M380226-C | 13/16" | 63.5    | 22.0    | 27.7     | 27.7     | 140         | £7.80 |
| M380228-C | 7/8"   | 63.5    | 22.0    | 29.5     | 29.5     | 165         | £8.20 |

#### 3/8" Drive Deep AF Sockets →





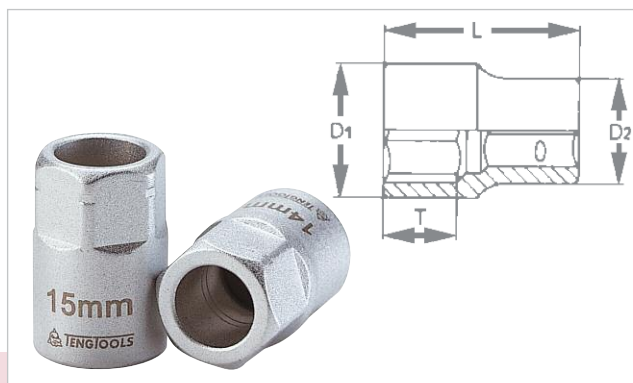
**TENGOOLS**

**3/8" Drive Push Through Sockets**

3/8" drive push through sockets for use on stud bolts etc with a protruding thread. 6 point, ranging from 10 to 19mm. To be used with M800010. Satin finish.

| Stock No. | Size mm | L mm | T mm | D1 mm | D2 mm | Weight g | Price |
|-----------|---------|------|------|-------|-------|----------|-------|
| M800510-C | 10      | 32.0 | 11.0 | 19.0  | 15.0  | 50       | £6.70 |
| M800511-C | 11      | 32.0 | 11.0 | 19.0  | 16.5  | 50       | £6.70 |
| M800512-C | 12      | 32.0 | 12.0 | 19.0  | 18.0  | 50       | £7.00 |
| M800513-C | 13      | 32.0 | 13.0 | 19.0  | 19.0  | 50       | £7.00 |
| M800514-C | 14      | 32.0 | 13.0 | 19.0  | 20.5  | 50       | £7.00 |
| M800515-C | 15      | 32.0 | 13.0 | 19.0  | 21.0  | 50       | £7.30 |
| M800516-C | 16      | 32.0 | 13.0 | 19.0  | 23.0  | 50       | £7.80 |
| M800517-C | 17      | 32.0 | 13.0 | 19.0  | 24.0  | 50       | £7.80 |
| M800518-C | 18      | 32.0 | 13.0 | 19.0  | 25.0  | 50       | £8.20 |
| M800519-C | 19      | 32.0 | 13.0 | 19.0  | 26.0  | 50       | £8.20 |

3/8" Drive Push Through Sockets →



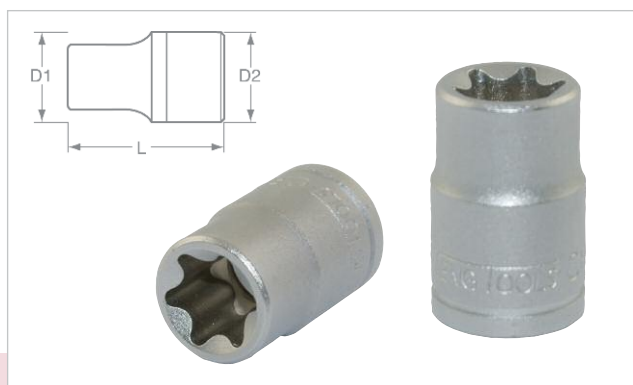
**TENGOOLS**

**3/8" Drive TX-E Sockets**

3/8" drive TX-E sockets, Chrome vanadium. Satin Finish.

| Stock no. | Size | Size mm | L mm | T mm | D1 mm | D2 mm | Weight g | Price |
|-----------|------|---------|------|------|-------|-------|----------|-------|
| M380710-C | E10  | 9.42    | 28.0 | 7.2  | 17.0  | 18    | 25       | £4.20 |
| M380712-C | E12  | 11.17   | 28.0 | 7.7  | 17.0  | 18    | 25       | £4.20 |
| M380714-C | E14  | 12.90   | 28.0 | 9.6  | 17.8  | 18    | 30       | £4.20 |
| M380716-C | E16  | 14.76   | 28.0 | 10.8 | 20.0  | 20    | 35       | £4.20 |
| M380718-C | E18  | 16.70   | 28.0 | 12.0 | 22.1  | 22    | 40       | £4.20 |

3/8" Drive TX-E Sockets →



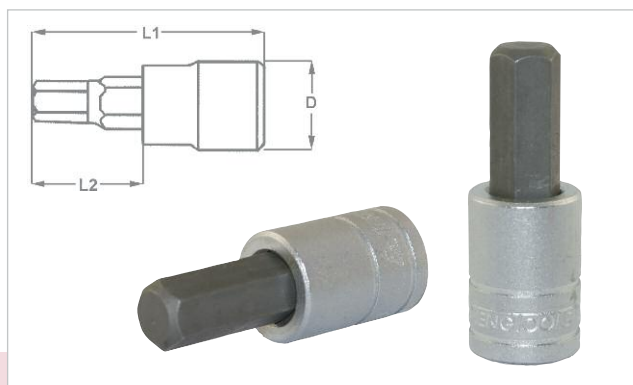
**TENGOOLS**

**3/8" Drive Hex S2 Sockets**

3/8" drive hex S2 socket bits. DIN 7422 Chrome vanadium. Satin Finish.

| Stock no.  | Size | L1 mm | L2 mm | D mm | Weight g | Price |
|------------|------|-------|-------|------|----------|-------|
| M381503-C  | 3    | 49.5  | 23.0  | 17.9 | 38       | £5.90 |
| M381504-C  | 4    | 49.5  | 23.0  | 17.9 | 38       | £5.90 |
| M381505-C  | 5    | 49.5  | 23.0  | 17.9 | 38       | £5.90 |
| M3815055-C | 5.5  | 49.5  | 23.0  | 17.9 | 38       | £5.90 |
| M381506-C  | 6    | 49.5  | 23.0  | 17.9 | 38       | £5.90 |
| M381507-C  | 7    | 49.5  | 23.0  | 17.9 | 40       | £5.90 |
| M381508-C  | 8    | 49.5  | 23.0  | 17.9 | 44       | £5.90 |
| M381510-C  | 10   | 49.5  | 23.0  | 17.9 | 52       | £5.90 |
| M381512-C  | 12   | 49.5  | 23.0  | 22.0 | 56       | £6.20 |

3/8" Drive Metric Hex Sockets →



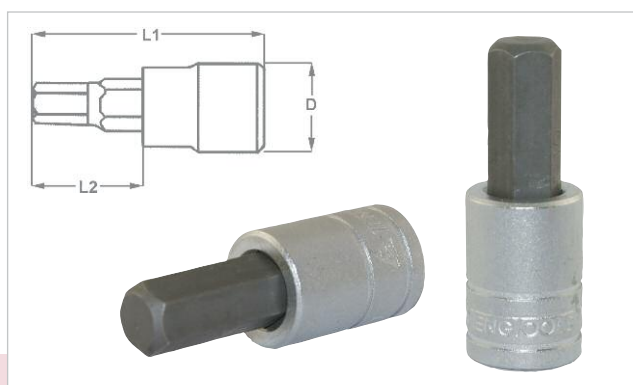
**TENGOOLS**

**3/8" Drive Sockets**

3/8" drive hex S2 socket bits. Chrome vanadium. Satin Finish.

| Stock no. | Size AF | L1 mm | L2 mm | D mm | Weight g | Price |
|-----------|---------|-------|-------|------|----------|-------|
| M381103-C | 3/32"   | 49.5  | 23.0  | 17.9 | 38       | £5.90 |
| M381104-C | 1/8"    | 49.5  | 23.0  | 17.9 | 38       | £5.90 |
| M381105-C | 5/32"   | 49.5  | 23.0  | 17.9 | 38       | £5.90 |
| M381106-C | 3/16"   | 49.5  | 23.0  | 17.9 | 38       | £5.90 |
| M381107-C | 7/32"   | 49.5  | 23.0  | 17.9 | 38       | £5.90 |
| M381108-C | 1/4"    | 49.5  | 23.0  | 17.9 | 38       | £5.90 |
| M381110-C | 5/16"   | 49.5  | 23.0  | 17.9 | 44       | £5.90 |
| M381112-C | 3/8"    | 49.5  | 23.0  | 17.9 | 44       | £5.90 |

3/8" Drive AF Hex Sockets →





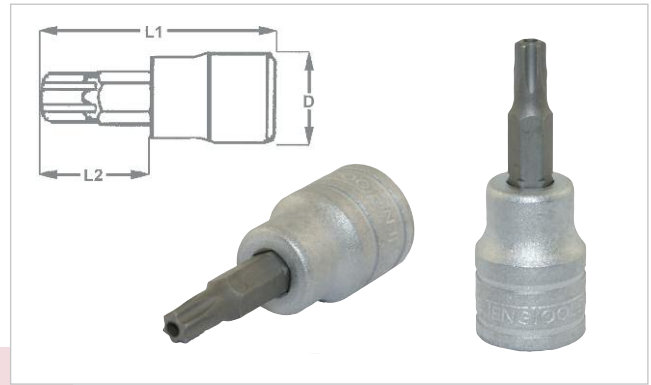
## TENGTOLS®

### 3/8" Drive Sockets

3/8" drive TPX socket bits. Chrome vanadium. Satin Finish.

| Stock no. | Size  | Size | L1<br>mm | L2<br>mm | D<br>mm | Weight<br>g | Price |
|-----------|-------|------|----------|----------|---------|-------------|-------|
| M381210-C | TPX10 | 2.5  | 49.5     | 23.0     | 17.9    | 38          | £5.90 |
| M381215-C | TPX15 | 3.0  | 49.5     | 23.0     | 17.9    | 38          | £5.90 |
| M381220-C | TPX20 | 3.5  | 49.5     | 23.0     | 17.9    | 38          | £5.90 |
| M381225-C | TPX25 | 4.5  | 49.5     | 23.0     | 17.9    | 38          | £5.90 |
| M381227-C | TPX27 | 5.0  | 49.5     | 23.0     | 17.9    | 38          | £5.90 |
| M381230-C | TPX30 | 5.5  | 49.5     | 23.0     | 17.9    | 38          | £5.90 |
| M381240-C | TPX40 | 6.5  | 49.5     | 23.0     | 17.9    | 38          | £5.90 |
| M381245-C | TPX45 | 7.5  | 49.5     | 23.0     | 17.9    | 38          | £5.90 |
| M381250-C | TPX50 | 8.8  | 49.5     | 23.0     | 17.9    | 38          | £5.90 |

3/8" Drive TPX Sockets →



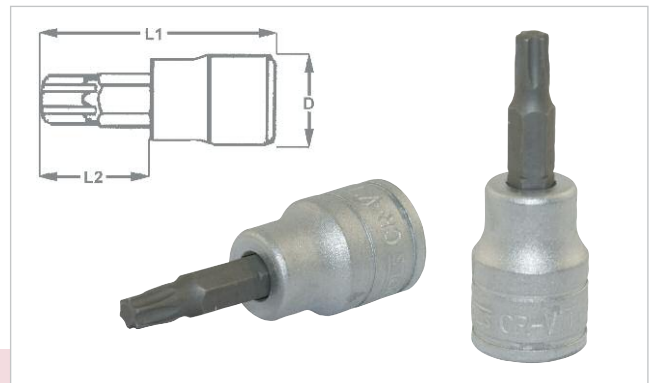
## TENGTOLS®

### 3/8" Drive TX Sockets

3/8" drive TX socket bits. Chrome vanadium. Satin Finish.

| Stock no.  | Size | Size | L1<br>mm | L2<br>mm | D<br>mm | Weight<br>g | Price |
|------------|------|------|----------|----------|---------|-------------|-------|
| M381210T-C | TX10 | 2.5  | 49.5     | 23.0     | 17.9    | 38          | £5.90 |
| M381215T-C | TX15 | 3.0  | 49.5     | 23.0     | 17.9    | 38          | £5.90 |
| M381220T-C | TX20 | 3.5  | 49.5     | 23.0     | 17.9    | 38          | £5.90 |
| M381225T-C | TX25 | 4.5  | 49.5     | 23.0     | 17.9    | 38          | £5.90 |
| M381227T-C | TX27 | 5.0  | 49.5     | 23.0     | 17.9    | 38          | £5.90 |
| M381230T-C | TX30 | 5.5  | 49.5     | 23.0     | 17.9    | 38          | £5.90 |
| M381240T-C | TX40 | 6.5  | 49.5     | 23.0     | 17.9    | 38          | £5.90 |
| M381245T-C | TX45 | 7.5  | 49.5     | 23.0     | 17.9    | 38          | £5.90 |
| M381250T-C | TX50 | 8.8  | 49.5     | 23.0     | 17.9    | 38          | £5.90 |

3/8" Drive TX Sockets →



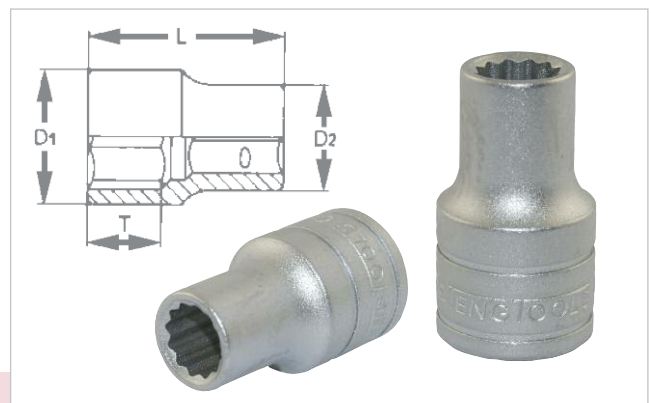
## TENGTOLS®

### 1/2" Drive Sockets

1/2" drive metric sockets regular 12 point, DIN 3120/3124/ISO 2725  
Chrome vanadium. Satin Finish.

| Stock no. | Size | L<br>mm | T<br>mm | D1<br>mm | D2<br>mm | Weight<br>g | Price |
|-----------|------|---------|---------|----------|----------|-------------|-------|
| M120508-C | 8    | 38.0    | 9.0     | 13.0     | 21.8     | 43          | £4.20 |
| M120509-C | 9    | 38.0    | 10.0    | 14.5     | 21.8     | 45          | £4.20 |
| M120510-C | 10   | 38.0    | 10.0    | 15.5     | 21.8     | 47          | £4.40 |
| M120511-C | 11   | 38.0    | 10.0    | 16.7     | 21.8     | 49          | £4.60 |
| M120512-C | 12   | 38.0    | 10.0    | 18.0     | 21.8     | 51          | £4.60 |
| M120513-C | 13   | 38.0    | 10.0    | 19.2     | 21.8     | 52          | £4.60 |
| M120514-C | 14   | 38.0    | 10.0    | 20.5     | 21.8     | 52          | £4.60 |
| M120515-C | 15   | 38.0    | 14.0    | 21.7     | 23.3     | 53          | £5.00 |
| M120516-C | 16   | 38.0    | 14.3    | 22.5     | 23.3     | 62          | £5.20 |
| M120517-C | 17   | 38.0    | 15.3    | 24.2     | 23.0     | 80          | £5.20 |
| M120518-C | 18   | 38.0    | 16.7    | 24.7     | 23.0     | 82          | £5.20 |
| M120519-C | 19   | 38.0    | 17.3    | 26.3     | 24.0     | 88          | £5.30 |
| M120520-C | 20   | 38.0    | 18.0    | 27.7     | 25.0     | 96          | £5.70 |
| M120521-C | 21   | 38.0    | 18.0    | 28.8     | 25.0     | 104         | £5.70 |
| M120522-C | 22   | 40.0    | 18.0    | 29.0     | 26.0     | 113         | £5.90 |
| M120523-C | 23   | 40.0    | 18.0    | 30.8     | 27.0     | 120         | £5.90 |
| M120524-C | 24   | 40.0    | 20.0    | 31.8     | 27.0     | 126         | £7.00 |
| M120525-C | 25   | 40.0    | 20.0    | 33.4     | 28.0     | 136         | £7.40 |
| M120526-C | 26   | 40.0    | 20.0    | 34.8     | 29.0     | 140         | £7.60 |
| M120527-C | 27   | 43.0    | 20.0    | 35.8     | 30.0     | 166         | £7.90 |
| M120528-C | 28   | 43.0    | 20.0    | 37.8     | 31.0     | 172         | £8.20 |
| M120529-C | 29   | 43.0    | 20.0    | 38.8     | 32.0     | 180         | £8.90 |
| M120530-C | 30   | 43.0    | 22.0    | 39.8     | 33.0     | 191         | £9.10 |
| M120532-C | 32   | 43.0    | 23.0    | 41.8     | 35.0     | 122         | £9.90 |

1/2" Drive Metric Sockets →



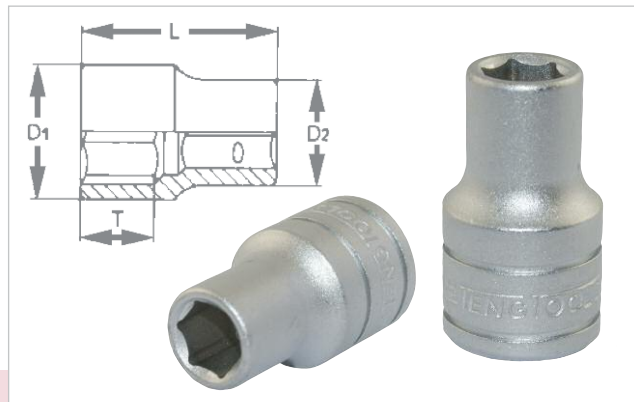


**TENGTTOOLS**

**1/2" Drive Metric Sockets**

1/2" drive metric sockets regular 6 point, DIN 3120/3124/ISO 2725  
 Chrome vanadium. Satin Finish.

| Stock no.  | Size | L<br>mm | T<br>mm | D1<br>mm | D2<br>mm | Weight<br>g | Price  |
|------------|------|---------|---------|----------|----------|-------------|--------|
| M1205106-C | 10   | 38.0    | 10.0    | 15.5     | 21.8     | 47          | £4.30  |
| M1205116-C | 11   | 38.0    | 10.0    | 16.7     | 21.8     | 49          | £4.40  |
| M1205126-C | 12   | 38.0    | 10.0    | 18.0     | 21.8     | 51          | £4.40  |
| M1205136-C | 13   | 38.0    | 10.0    | 19.2     | 21.8     | 52          | £4.40  |
| M1205146-C | 14   | 38.0    | 10.0    | 20.5     | 21.8     | 52          | £4.40  |
| M1205156-C | 15   | 38.0    | 14.0    | 21.7     | 23.3     | 53          | £5.00  |
| M1205166-C | 16   | 38.0    | 14.3    | 22.5     | 23.3     | 62          | £5.00  |
| M1205176-C | 17   | 38.0    | 14.3    | 24.2     | 23.0     | 80          | £5.00  |
| M1205186-C | 18   | 38.0    | 15.3    | 24.7     | 23.0     | 82          | £5.00  |
| M1205196-C | 19   | 38.0    | 16.7    | 26.3     | 24.0     | 88          | £5.00  |
| M1205206-C | 20   | 38.0    | 17.3    | 27.7     | 25.0     | 96          | £5.60  |
| M1205216-C | 21   | 38.0    | 18.0    | 28.8     | 25.0     | 104         | £5.60  |
| M1205226-C | 22   | 40.0    | 18.0    | 29.8     | 26.0     | 113         | £5.80  |
| M1205236-C | 23   | 40.0    | 18.0    | 30.8     | 27.0     | 120         | £5.80  |
| M1205246-C | 24   | 40.0    | 18.0    | 31.8     | 27.0     | 126         | £6.70  |
| M1205256-C | 25   | 40.0    | 20.0    | 33.4     | 28.0     | 136         | £7.40  |
| M1205266-C | 26   | 40.0    | 20.0    | 34.8     | 29.0     | 140         | £7.60  |
| M1205276-C | 27   | 43.0    | 20.0    | 35.8     | 30.0     | 166         | £7.90  |
| M1205286-C | 28   | 43.0    | 20.0    | 37.8     | 31.0     | 172         | £8.50  |
| M1205296-C | 29   | 43.0    | 20.0    | 38.8     | 32.0     | 180         | £8.90  |
| M1205306-C | 30   | 43.0    | 20.0    | 39.8     | 33.0     | 191         | £9.10  |
| M1205326-C | 32   | 43.0    | 22.0    | 41.8     | 35.0     | 222         | £9.90  |
| M1205336-C | 33   | 45.5    | 23.5    | 42.8     | 35.0     | 235         | £10.20 |
| M1205346-C | 34   | 45.5    | 23.5    | 43.8     | 35.0     | 254         | £10.40 |



1/2" Drive Metric Sockets 6 point →

| Stock No. | Size mm | Price |
|-----------|---------|-------|
| 137960100 | 8       | £2.70 |
| 137960209 | 9       | £2.70 |
| 137960308 | 10      | £2.70 |
| 137960407 | 11      | £2.70 |
| 137960506 | 12      | £2.70 |
| 137960605 | 13      | £2.70 |
| 137960704 | 14      | £2.70 |
| 137960803 | 15      | £2.70 |
| 137960902 | 16      | £2.70 |
| 137961009 | 17      | £2.70 |
| 137961108 | 18      | £3.10 |
| 137961207 | 19      | £3.10 |
| 137961306 | 20      | £3.40 |
| 137961405 | 21      | £3.40 |
| 137961504 | 22      | £3.80 |
| 137961603 | 23      | £4.30 |
| 137961702 | 24      | £4.30 |
| 137961801 | 25      | £4.30 |
| 137961900 | 26      | £4.30 |
| 137962007 | 27      | £5.40 |
| 137962106 | 28      | £5.90 |
| 137962205 | 29      | £6.10 |
| 137962304 | 30      | £6.80 |
| 137962403 | 32      | £7.50 |
| 137962502 | 33      | £8.50 |
| 137962601 | 34      | £9.00 |



**1/2" Drive Sockets**

Regular sockets, 1/2" drive. Chrome vanadium steel, 6 point, fully polished.



**NEW!** 1/2" Drive Metric Sockets →



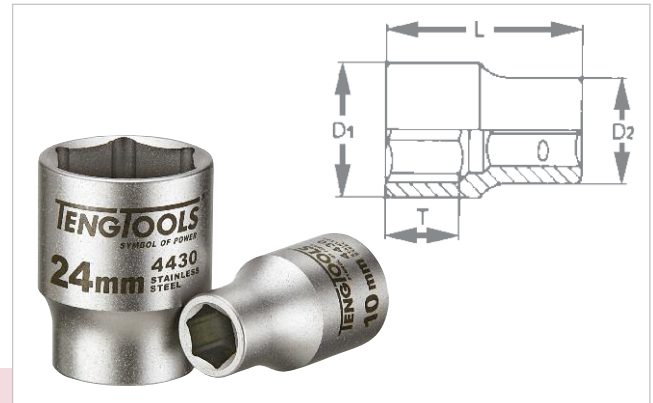


## TENGOOLS®

### 1/2" Drive Stainless Steel Sockets

1/2" drive stainless steel metric socket regular, 6 point. Produced in accordance with DIN3120/3124/ISO2725. Satin finish and laser marked for brand and size. Ideal for the food, medical, aerospace and marine industries or for use in any acidic environment.

| Stock No.   | Size | D1<br>mm | D2<br>mm | L<br>mm | T<br>mm | Weight<br>g | Price  |
|-------------|------|----------|----------|---------|---------|-------------|--------|
| MS1205106-C | 10   | 15.5     | 21.5     | 38.5    | 10.0    | 50          | £20.20 |
| MS1205116-C | 11   | 16.7     | 21.5     | 38.5    | 10.0    | 51          | £20.20 |
| MS1205126-C | 12   | 18.0     | 21.5     | 38.5    | 10.0    | 51          | £20.20 |
| MS1205136-C | 13   | 19.2     | 21.5     | 38.5    | 10.0    | 53          | £20.20 |
| MS1205146-C | 14   | 20.5     | 21.5     | 38.5    | 10.0    | 55          | £20.20 |
| MS1205156-C | 15   | 21.1     | 21.6     | 38.5    | 13.0    | 55          | £20.20 |
| MS1205166-C | 16   | 22.5     | 23.0     | 38.5    | 13.0    | 65          | £21.30 |
| MS1205176-C | 17   | 24.2     | 23.0     | 38.5    | 13.0    | 75          | £22.90 |
| MS1205186-C | 18   | 25.5     | 23.5     | 38.5    | 13.0    | 83          | £23.90 |
| MS1205196-C | 19   | 26.0     | 24.0     | 38.5    | 16.7    | 76          | £25.00 |
| MS1205216-C | 21   | 27.5     | 29.0     | 35.0    | 6.0     | 76          | £26.80 |
| MS1205246-C | 24   | 31.5     | 26.0     | 39.5    | 18.0    | 102         | £30.50 |



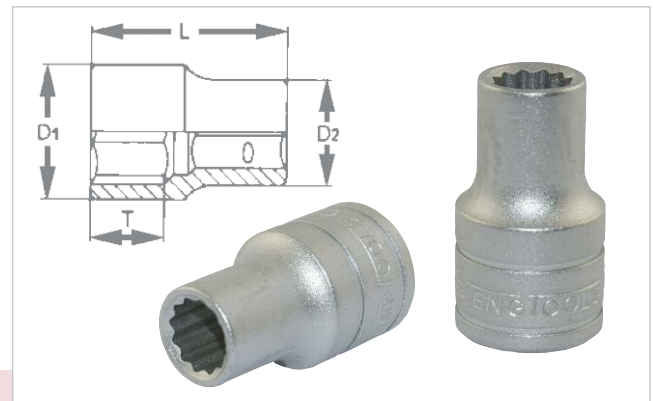
### 1/2" Drive Stainless Steel Metric Sockets →

## TENGOOLS®

### 1/2" Drive AF Sockets

1/2" drive AF sockets regular 12 point, DIN 3120/3124/ISO 2725  
Chrome vanadium. Satin Finish.

| Stock no. | Size    | L<br>mm | T<br>mm | D1<br>mm | D2<br>mm | Weight<br>g | Price |
|-----------|---------|---------|---------|----------|----------|-------------|-------|
| M120112-C | 3/8"    | 38.0    | 9.0     | 14.7     | 21.8     | 46          | £4.40 |
| M120114-C | 7/16"   | 38.0    | 9.0     | 17.0     | 21.8     | 50          | £4.40 |
| M120116-C | 1/2"    | 38.0    | 10.0    | 19.0     | 21.8     | 52          | £4.40 |
| M120118-C | 9/16"   | 38.0    | 12.5    | 20.8     | 21.8     | 55          | £4.40 |
| M120120-C | 5/8"    | 38.0    | 14.3    | 23.3     | 22.5     | 62          | £5.30 |
| M120122-C | 11/16"  | 38.0    | 14.3    | 24.7     | 23.0     | 72          | £5.30 |
| M120124-C | 3/4"    | 38.0    | 20.0    | 26.3     | 24.0     | 76          | £5.30 |
| M120126-C | 13/16"  | 38.0    | 20.0    | 28.8     | 28.8     | 80          | £5.50 |
| M120128-C | 7/8"    | 40.0    | 21.0    | 29.8     | 29.8     | 95          | £5.60 |
| M120130-C | 15/16"  | 40.0    | 21.0    | 31.8     | 27.0     | 110         | £5.80 |
| M120132-C | 1"      | 43.0    | 21.0    | 33.4     | 28.0     | 120         | £6.20 |
| M120134-C | 1 1/16" | 43.0    | 23.0    | 35.8     | 30.0     | 145         | £7.80 |
| M120136-C | 1 1/8"  | 43.0    | 23.0    | 37.8     | 31.0     | 150         | £8.50 |
| M120138-C | 1 3/16" | 43.0    | 23.0    | 39.8     | 33.0     | 190         | £8.90 |
| M120140-C | 1 1/4"  | 43.0    | 23.0    | 41.8     | 35.0     | 205         | £9.60 |



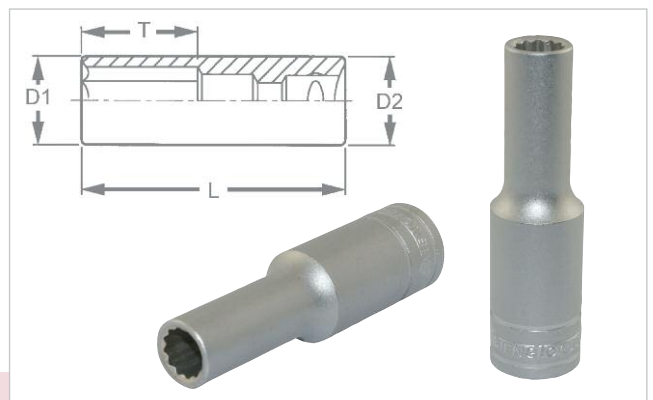
### 1/2" Drive AF Sockets →

## TENGOOLS®

### 1/2" Drive Metric Sockets

1/2" drive metric sockets deep 12 point, DIN 3120/3124/ISO 2725.  
Chrome vanadium. Satin Finish.

| Stock no. | Size | L<br>mm | T<br>mm | D1<br>mm | D2<br>mm | Weight<br>g | Price  |
|-----------|------|---------|---------|----------|----------|-------------|--------|
| M120610-C | 10   | 79.0    | 17.0    | 15.5     | 22.0     | 125         | £8.90  |
| M120611-C | 11   | 79.0    | 18.0    | 16.7     | 22.0     | 130         | £8.90  |
| M120612-C | 12   | 79.0    | 19.0    | 18.0     | 22.0     | 130         | £8.90  |
| M120613-C | 13   | 79.0    | 21.0    | 19.2     | 22.0     | 135         | £8.90  |
| M120614-C | 14   | 79.0    | 25.0    | 20.5     | 22.0     | 135         | £9.20  |
| M120615-C | 15   | 79.0    | 28.0    | 21.5     | 22.0     | 135         | £9.20  |
| M120616-C | 16   | 79.0    | 31.0    | 22.5     | 23.3     | 150         | £9.20  |
| M120617-C | 17   | 79.0    | 24.0    | 24.2     | 24.2     | 155         | £9.50  |
| M120618-C | 18   | 79.0    | 34.0    | 25.4     | 25.4     | 165         | £9.50  |
| M120619-C | 19   | 79.0    | 34.0    | 26.7     | 26.7     | 190         | £9.60  |
| M120620-C | 20   | 79.0    | 34.0    | 27.8     | 27.8     | 195         | £9.60  |
| M120621-C | 21   | 79.0    | 34.0    | 27.8     | 27.8     | 200         | £9.80  |
| M120622-C | 22   | 79.0    | 34.0    | 29.8     | 29.8     | 230         | £9.80  |
| M120624-C | 24   | 79.0    | 34.0    | 31.8     | 28.5     | 240         | £10.10 |
| M120627-C | 27   | 79.0    | 34.0    | 35.8     | 32.0     | 280         | £13.10 |
| M120630-C | 30   | 79.0    | 34.0    | 39.8     | 35.0     | 360         | £14.60 |
| M120632-C | 32   | 79.0    | 34.0    | 41.3     | 36.5     | 380         | £14.90 |
| M120636-C | 36   | 79.0    | 34.0    | 46.0     | 41.0     | 390         | £17.70 |



### 1/2" Drive Deep Metric Sockets →

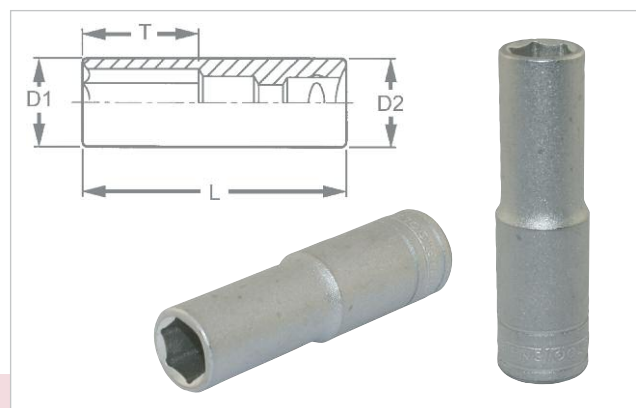


**TENGOOLS**

**1/2" Drive Metric Sockets**

1/2" drive metric sockets deep 6 point, DIN 3120/3124/ISO 2725  
Chrome vanadium. Satin Finish.

| Stock no.  | Size | L<br>mm | T<br>mm | D1<br>mm | D2<br>mm | Weight<br>g | Price  |
|------------|------|---------|---------|----------|----------|-------------|--------|
| M1206136-C | 13   | 79.0    | 21.0    | 19.2     | 22.0     | 135         | £9.40  |
| M1206146-C | 14   | 79.0    | 25.0    | 20.5     | 22.0     | 135         | £9.40  |
| M1206156-C | 15   | 79.0    | 28.0    | 21.5     | 22.0     | 135         | £9.40  |
| M1206166-C | 16   | 79.0    | 31.0    | 22.5     | 23.3     | 150         | £9.40  |
| M1206176-C | 17   | 79.0    | 34.0    | 24.2     | 24.2     | 155         | £9.50  |
| M1206186-C | 18   | 79.0    | 34.0    | 25.4     | 25.4     | 165         | £9.60  |
| M1206196-C | 19   | 79.0    | 34.0    | 26.7     | 26.7     | 190         | £9.60  |
| M1206246-C | 24   | 79.0    | 34.0    | 31.8     | 28.5     | 240         | £10.20 |



1/2" Drive Deep Metric Sockets →



**1/2" Drive Deep Sockets**

Deep sockets 1/2" drive. Chrome vanadium steel, 6 point, fully polished.

| Stock No. | Size<br>mm | Price | Stock No. | Size<br>mm | Price  |
|-----------|------------|-------|-----------|------------|--------|
| 149286478 | 8          | £4.30 | 149286601 | 21         | £5.90  |
| 149286486 | 9          | £4.30 | 149286619 | 22         | £6.30  |
| 149286494 | 10         | £4.30 | 149286627 | 23         | £7.20  |
| 149286502 | 11         | £4.30 | 149286635 | 24         | £7.20  |
| 149286510 | 12         | £4.30 | 149286643 | 25         | £7.80  |
| 149286528 | 13         | £4.30 | 149286650 | 26         | £8.90  |
| 149286536 | 14         | £4.30 | 149286668 | 27         | £9.30  |
| 149286544 | 15         | £4.30 | 149286676 | 28         | £10.50 |
| 149286551 | 16         | £4.30 | 149286684 | 29         | £10.60 |
| 149286569 | 17         | £4.30 | 149286692 | 30         | £11.30 |
| 149286577 | 18         | £5.00 | 149286700 | 32         | £11.90 |
| 149286585 | 19         | £5.00 | 149283718 | 33         | £21.30 |
| 149286593 | 20         | £5.90 | 149286726 | 34         | £21.30 |



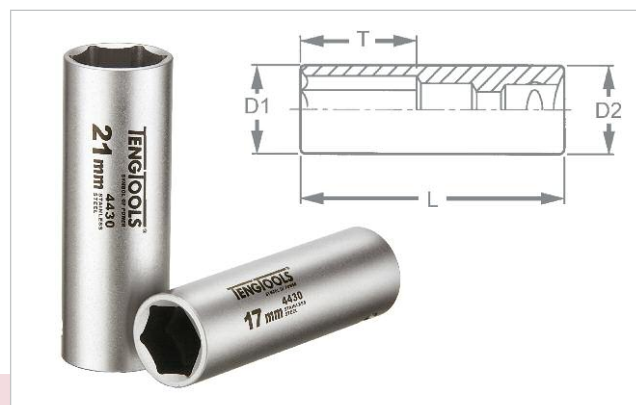
**NEW!** 1/2" Drive Deep Metric Sockets →

**TENGOOLS**

**1/2" Drive Deep Stainless Steel Sockets**

1/2" drive stainless steel 6 point sockets for most common wheel nut sizes.  
Suitable for use with impact guns.

| Stock No.   | Size | D1<br>mm | L<br>mm | T<br>mm | D2<br>mm | Weight<br>g | Price  |
|-------------|------|----------|---------|---------|----------|-------------|--------|
| MS1206176-C | 17   | 24.2     | 79.0    | 33.0    | 24.2     | 149         | £37.70 |
| MS1206196-C | 19   | 26.5     | 79.0    | 35.0    | 26.5     | 183         | £43.60 |
| MS1206216-C | 21   | 27.5     | 79.0    | 35.0    | 27.5     | 187         | £47.90 |



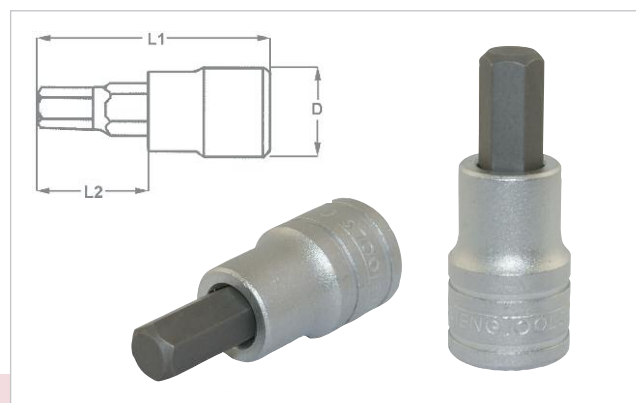
1/2" Drive Deep Stainless Steel Sockets →

**TENGOOLS**

**1/2" Drive Hex S2 Sockets**

1/2" drive hex S2 socket bits DIN 7422 Chrome vanadium. Satin Finish.

| Stock no. | Size | L1<br>mm | L2<br>mm | D<br>mm | Weight<br>g | Price  |
|-----------|------|----------|----------|---------|-------------|--------|
| M121505-C | 5    | 55.0     | 20.5     | 22.0    | 52          | £6.20  |
| M121506-C | 6    | 55.0     | 20.5     | 22.0    | 54          | £6.20  |
| M121507-C | 7    | 55.0     | 20.5     | 22.0    | 60          | £6.20  |
| M121508-C | 8    | 55.0     | 20.5     | 22.0    | 62          | £6.20  |
| M121509-C | 9    | 55.0     | 20.5     | 22.0    | 66          | £6.20  |
| M121510-C | 10   | 55.0     | 20.5     | 22.0    | 72          | £6.50  |
| M121512-C | 12   | 55.0     | 20.5     | 22.0    | 80          | £7.00  |
| M121514-C | 14   | 55.0     | 20.5     | 22.0    | 96          | £8.50  |
| M121517-C | 17   | 55.0     | 20.5     | 25.0    | 154         | £10.10 |



1/2" Drive Metric Hex Sockets →



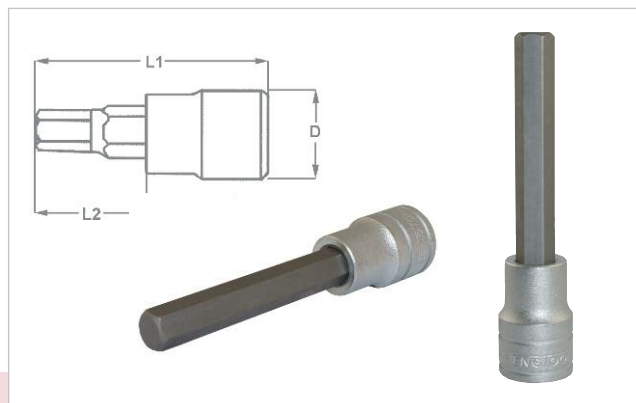
## TENGOOLS

### 1/2" Drive Long Hex Sockets

1/2" drive long hex S2 socket bits DIN 7422 Chrome vanadium. Satin Finish.

| Stock no. | Size | L1<br>mm | L2<br>mm | D<br>mm | Weight<br>g | Price |
|-----------|------|----------|----------|---------|-------------|-------|
| M122505-C | 5    | 100.0    | 65.5     | 22.0    | 60          | £6.30 |
| M122506-C | 6    | 100.0    | 65.5     | 22.0    | 60          | £6.30 |
| M122507-C | 7    | 100.0    | 65.5     | 22.0    | 80          | £6.30 |
| M122508-C | 8    | 100.0    | 65.5     | 22.0    | 80          | £6.30 |
| M122510-C | 10   | 100.0    | 65.5     | 22.0    | 100         | £7.80 |
| M122512-C | 12   | 100.0    | 65.5     | 22.0    | 120         | £8.30 |

1/2" Drive Long Hex Sockets →



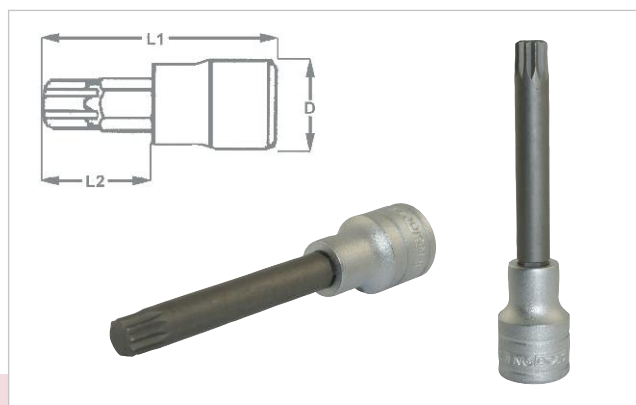
## TENGOOLS

### 1/2" Drive Spline Socket Bits

1/2" drive 100mm long Spline socket bits. Chrome vanadium. Satin Finish.

| Stock no. | Size | L1<br>mm | L2<br>mm | D<br>mm | Weight<br>g | Price  |
|-----------|------|----------|----------|---------|-------------|--------|
| M122805-C | 05   | 100      | 65.0     | 22.0    | 70          | £8.80  |
| M122806-C | 06   | 100      | 65.0     | 22.0    | 70          | £8.80  |
| M122808-C | 08   | 100      | 65.0     | 22.0    | 70          | £8.80  |
| M122810-C | 10   | 100      | 65.0     | 22.0    | 90          | £10.40 |
| M122812-C | 12   | 100      | 65.0     | 22.0    | 110         | £11.70 |
| M122814-C | 14   | 100      | 65.0     | 22.0    | 130         | £12.70 |
| M122816-C | 16   | 100      | 65.0     | 22.0    | 160         | £13.90 |

1/2" Drive Spline Socket Bits →



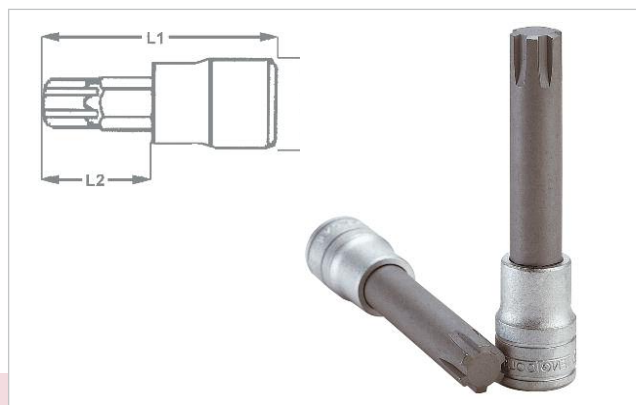
## TENGOOLS

### 1/2" Drive Long Ribe Socket Bits

1/2" drive long Ribe socket bits. Chrome vanadium. Satin Finish.

| Stock no. | Size | L1<br>mm | L2<br>mm | D<br>mm | Weight<br>g | Price  |
|-----------|------|----------|----------|---------|-------------|--------|
| M122704-C | 04   | 100      | 65.0     | 22.0    | 70          | £8.80  |
| M122705-C | 05   | 100      | 65.0     | 22.0    | 70          | £8.80  |
| M122706-C | 06   | 100      | 65.0     | 22.0    | 70          | £8.80  |
| M122708-C | 08   | 100      | 65.0     | 22.0    | 70          | £8.80  |
| M122709-C | 09   | 100      | 65.0     | 22.0    | 70          | £9.30  |
| M122710-C | 10   | 100      | 65.0     | 22.0    | 90          | £10.40 |
| M122711-C | 11   | 100      | 65.0     | 22.0    | 100         | £11.70 |
| M122712-C | 12   | 100      | 65.0     | 22.0    | 110         | £13.90 |
| M122713-C | 13   | 100      | 65.0     | 22.0    | 120         | £14.70 |

1/2" Drive Long Ribe Socket Bits →



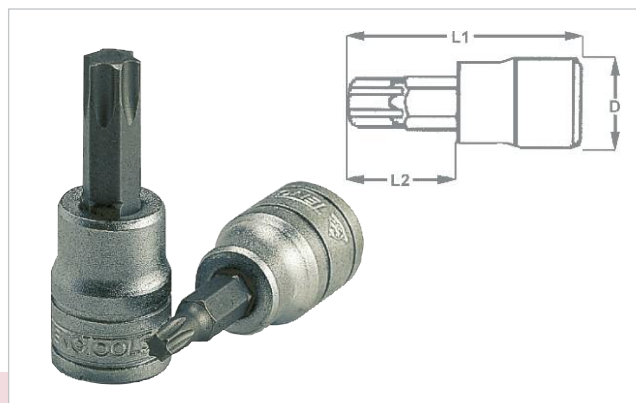
## TENGOOLS

### 1/2" Drive TPX Socket Bits

1/2" drive TPX socket bits. Chrome vanadium. Satin finish.

| Stock     | Size  | Size<br>mm | L1<br>mm | L2<br>mm | D<br>mm | Weight<br>g | Price |
|-----------|-------|------------|----------|----------|---------|-------------|-------|
| M121220-C | TPX20 | 3.5        | 55.0     | 20.5     | 22.0    | 60          | £6.10 |
| M121225-C | TPX25 | 4.5        | 55.0     | 20.5     | 22.0    | 60          | £6.10 |
| M121227-C | TPX27 | 5.0        | 55.0     | 20.5     | 22.0    | 60          | £6.20 |
| M121230-C | TPX30 | 5.5        | 55.0     | 20.5     | 22.0    | 60          | £6.20 |
| M121240-C | TPX40 | 6.5        | 55.0     | 20.5     | 22.0    | 68          | £6.20 |
| M121245-C | TPX45 | 7.5        | 55.0     | 20.5     | 22.0    | 68          | £6.50 |
| M121250-C | TPX50 | 8.8        | 55.0     | 20.5     | 22.0    | 68          | £6.50 |
| M121255-C | TPX55 | 11.1       | 55.0     | 20.5     | 22.0    | 68          | £7.50 |
| M121260-C | TPX60 | 13.1       | 55.0     | 20.5     | 22.0    | 68          | £7.90 |

1/2" Drive TPX Socket Bits →





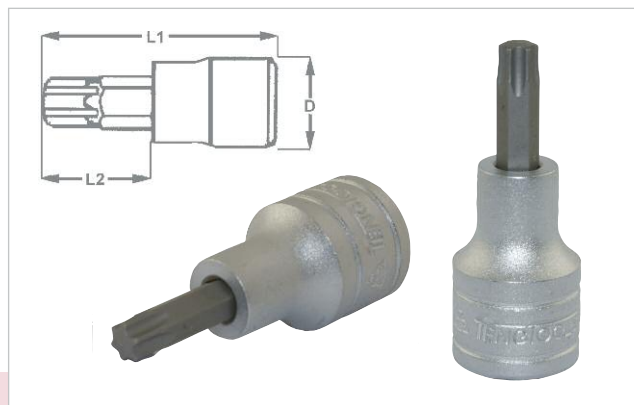
**TENGTTOOLS**

**1/2" Drive TX Socket Bits**

1/2" drive TX socket bits. Chrome vanadium. Satin Finish.

| Stock no.  | Size | Size mm | L1 mm | L2 mm | D mm | Weight g | Price |
|------------|------|---------|-------|-------|------|----------|-------|
| M121220T-C | TX20 | 3.5     | 55.0  | 20.5  | 22.0 | 60       | £5.90 |
| M121225T-C | TX25 | 4.5     | 55.0  | 20.5  | 22.0 | 60       | £5.90 |
| M121227T-C | TX27 | 5.0     | 55.0  | 20.5  | 22.0 | 60       | £5.90 |
| M121230T-C | TX30 | 5.5     | 55.0  | 20.5  | 22.0 | 60       | £5.90 |
| M121240T-C | TX40 | 6.5     | 55.0  | 20.5  | 22.0 | 60       | £5.90 |
| M121245T-C | TX45 | 7.5     | 55.0  | 20.5  | 22.0 | 68       | £6.10 |
| M121250T-C | TX50 | 8.8     | 55.0  | 20.5  | 22.0 | 68       | £6.10 |
| M121255T-C | TX55 | 11.1    | 55.0  | 20.5  | 22.0 | 68       | £6.80 |
| M121260T-C | TX60 | 13.1    | 55.0  | 20.5  | 22.0 | 68       | £7.10 |

1/2" Drive TX Socket Bits →



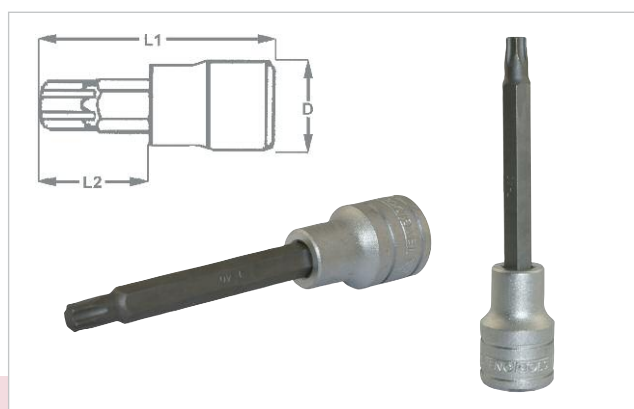
**TENGTTOOLS**

**1/2" Drive Long TX S2 Socket Bits**

1/2" drive 100mm long TX S2 socket bits. Chrome vanadium. Satin Finish.

| Stock no.  | Size | Size mm | L1 mm | L2 mm | D mm | Weight g | Price  |
|------------|------|---------|-------|-------|------|----------|--------|
| M122220T-C | TX20 | 3.5     | 100.0 | 65.5  | 22.0 | 60       | £9.20  |
| M122225T-C | TX25 | 4.5     | 100.0 | 65.5  | 22.0 | 60       | £9.20  |
| M122227T-C | TX27 | 5.0     | 100.0 | 65.5  | 22.0 | 60       | £9.40  |
| M122230T-C | TX30 | 5.5     | 100.0 | 65.5  | 22.0 | 60       | £9.40  |
| M122240T-C | TX40 | 6.5     | 100.0 | 65.5  | 22.0 | 60       | £9.40  |
| M122245T-C | TX45 | 7.5     | 100.0 | 65.5  | 22.0 | 80       | £9.70  |
| M122250T-C | TX50 | 8.8     | 100.0 | 65.5  | 22.0 | 100      | £9.70  |
| M122255T-C | TX55 | 11.1    | 100.0 | 65.5  | 22.0 | 100      | £11.00 |
| M122260T-C | TX60 | 13.1    | 100.0 | 65.5  | 22.0 | 100      | £12.10 |
| M122270T-C | TX70 | 15.5    | 100.0 | 65.5  | 22.0 | 100      | £12.50 |

1/2" Drive Long TX Socket Bits →



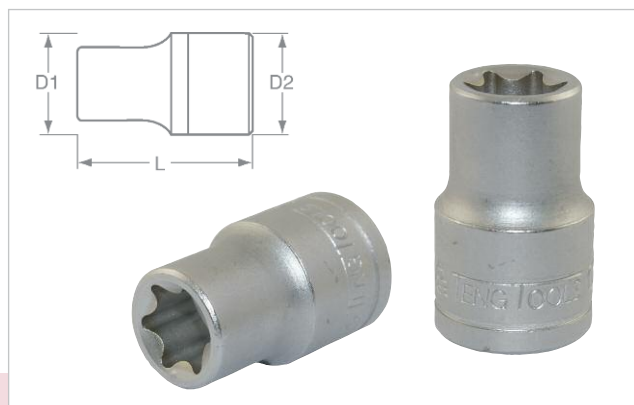
**TENGTTOOLS**

**1/2" Drive TX-E Sockets**

1/2" drive TX-E sockets. Chrome vanadium. Satin Finish.

| Stock no. | Size | Size mm | L mm | T mm | D1 mm | D2 mm | Weight g | Price |
|-----------|------|---------|------|------|-------|-------|----------|-------|
| M120710-C | E10  | 9.3     | 37.8 | 9.5  | 13.1  | 23.5  | 39       | £5.70 |
| M120711-C | E11  | 9.7     | 37.8 | 9.5  | 14.1  | 23.5  | 42       | £5.70 |
| M120712-C | E12  | 10.8    | 37.8 | 9.5  | 14.9  | 23.5  | 43       | £5.70 |
| M120714-C | E14  | 12.8    | 37.8 | 12.3 | 16.7  | 23.5  | 44       | £5.70 |
| M120716-C | E16  | 14.6    | 37.8 | 13.0 | 19.1  | 23.5  | 49       | £5.70 |
| M120718-C | E18  | 16.6    | 37.8 | 13.0 | 20.9  | 23.5  | 52       | £5.70 |
| M120720-C | E20  | 18.4    | 37.8 | 13.0 | 23.7  | 23.5  | 60       | £6.50 |
| M120722-C | E22  | 20.3    | 37.8 | 16.1 | 26.1  | 26.1  | 82       | £6.50 |
| M120724-C | E24  | 21.9    | 37.8 | 16.4 | 28.0  | 28.0  | 102      | £6.50 |

1/2" Drive TX-E Sockets →



**Teng Tools Safety Locking Mechanism**

3/4" drive sockets can be heavy and if they drop from the ratchet or an extension bar or accessory it can be a health and safety risk. To reduce the likelihood of this happening Teng Tools have introduced a range of 3/4" drive extension bars, a sliding T bar and a universal joint with a safety locking mechanism. This is a simple design which effectively locks the socket in place to prevent it falling off under its own weight. The safety locking accessories are available individually or as part of a 22 piece socket set or a TTX tray set. One more example of how Teng Tools works to create user friendly tools.





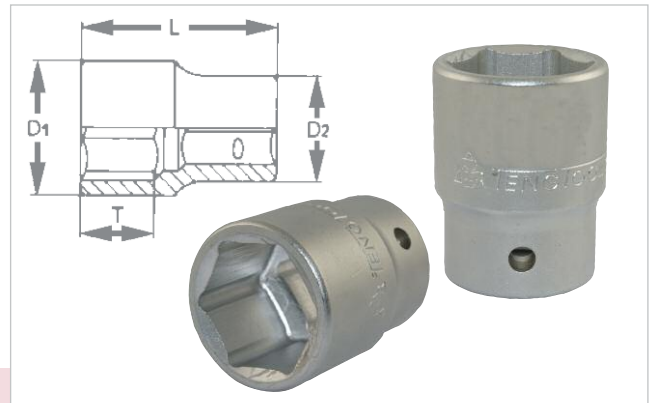
## TENGOOLS®

### 3/4" Drive Sockets

3/4" drive sockets regular 6 point metric. Chrome vanadium. Satin Finish.

| Stock no.  | Size | L<br>mm | T<br>mm | D1<br>mm | D2<br>mm | Weight<br>g | Price  |
|------------|------|---------|---------|----------|----------|-------------|--------|
| M3405196-C | 19   | 50.0    | 14      | 29.2     | 33       | 180         | £8.90  |
| M3405216-C | 21   | 50.0    | 14      | 31.2     | 33       | 180         | £8.90  |
| M3405226-C | 22   | 50.0    | 14      | 32.2     | 36       | 220         | £8.90  |
| M3405246-C | 24   | 51.0    | 16      | 34.2     | 36       | 230         | £8.90  |
| M3405266-C | 26   | 52.0    | 18      | 36.0     | 36       | 240         | £9.40  |
| M3405276-C | 27   | 52.0    | 22      | 38.0     | 36       | 240         | £9.40  |
| M3405306-C | 30   | 54.0    | 24      | 42.0     | 38       | 260         | £9.40  |
| M3405326-C | 32   | 56.0    | 26      | 44.0     | 38       | 310         | £10.40 |
| M3405336-C | 33   | 56.0    | 26      | 46.0     | 38       | 330         | £11.30 |
| M3405346-C | 34   | 56.0    | 26      | 47.0     | 38       | 350         | £11.60 |
| M3405366-C | 36   | 58.0    | 28      | 50.0     | 38       | 430         | £12.10 |
| M3405386-C | 38   | 60.0    | 28      | 52.0     | 42       | 500         | £14.20 |
| M3405416-C | 41   | 64.0    | 30      | 56.0     | 45       | 570         | £15.00 |
| M3405466-C | 46   | 68.0    | 34      | 62.0     | 45       | 690         | £17.80 |
| M3405506-C | 50   | 72.0    | 36      | 68.0     | 48       | 830         | £20.30 |

3/4" Drive Metric Sockets →



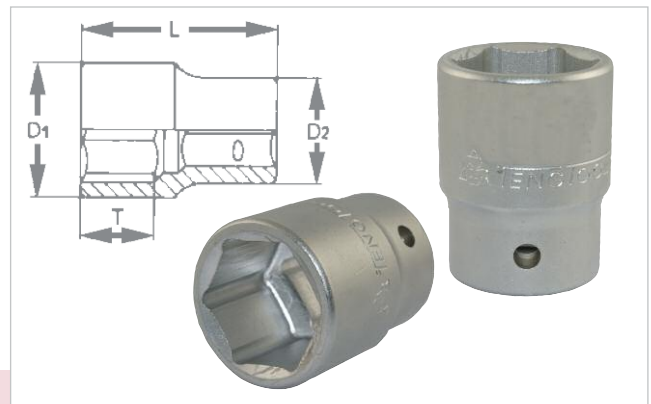
## TENGOOLS®

### 3/4" Drive Sockets

3/4" drive sockets regular 12 point, AF. Chrome vanadium. Satin Finish.

| Stock no. | Size    | L<br>mm | T<br>mm | D1<br>mm | D2<br>mm | Weight<br>g | Price  |
|-----------|---------|---------|---------|----------|----------|-------------|--------|
| M340124-C | 3/4"    | 50.0    | 14.0    | 29.2     | 33.0     | 180         | £8.90  |
| M340128-C | 7/8"    | 51.0    | 18.1    | 32.2     | 36.2     | 195         | £8.90  |
| M340130-C | 15/16"  | 51.0    | 18.1    | 34.5     | 36.2     | 200         | £8.90  |
| M340132-C | 1"      | 51.0    | 24.0    | 37.0     | 37.0     | 200         | £8.90  |
| M340134-C | 1 1/16" | 51.0    | 24.0    | 38.3     | 37.0     | 200         | £8.90  |
| M340136-C | 1 1/8"  | 51.0    | 24.3    | 40.0     | 38.5     | 230         | £9.50  |
| M340138-C | 1 3/16" | 53.0    | 25.2    | 42.0     | 38.5     | 255         | £9.50  |
| M340140-C | 1 1/4"  | 55.0    | 28.0    | 44.0     | 38.5     | 275         | £9.70  |
| M340142-C | 1 5/16" | 55.0    | 28.0    | 46.0     | 38.5     | 300         | £9.70  |
| M340144-C | 1 3/8"  | 57.0    | 29.7    | 48.0     | 42.3     | 360         | £14.10 |
| M340146-C | 1 7/16" | 57.0    | 29.7    | 50.0     | 42.3     | 380         | £14.10 |
| M340148-C | 1 1/2"  | 60.0    | 31.1    | 52.1     | 45.2     | 440         | £14.10 |
| M340152-C | 1 5/8"  | 63.0    | 33.7    | 56.1     | 45.2     | 515         | £16.10 |
| M340156-C | 1 3/4"  | 65.0    | 33.7    | 60.0     | 48.0     | 610         | £18.20 |
| M340158-C | 1 7/8"  | 67.0    | 35.7    | 62.0     | 48.0     | 635         | £18.20 |
| M340160-C | 1 1/2"  | 69.0    | 37.2    | 64.0     | 48.3     | 690         | £19.60 |
| M340164-C | 2"      | 71.0    | 38.6    | 68.2     | 48.3     | 755         | £21.00 |

3/4" Drive AF Sockets →



## TENGOOLS®

### 1" Drive Sockets

1" drive sockets regular 12 point metric. Chrome vanadium. Satin Finish.

| Stock no. | Size | L<br>mm | T<br>mm | D1<br>mm | D2<br>mm | Weight<br>g | Price  |
|-----------|------|---------|---------|----------|----------|-------------|--------|
| M110536   | 36   | 65.3    | 31.2    | 51.0     | 45.2     | 440         | £22.90 |
| M110541   | 41   | 70.2    | 33.8    | 57.1     | 45.2     | 550         | £25.30 |
| M110546   | 46   | 74.5    | 37.5    | 64.6     | 49.4     | 810         | £31.60 |
| M110550   | 50   | 75.3    | 38.1    | 69.9     | 55.2     | 995         | £34.30 |
| M110555   | 55   | 80.0    | 40.0    | 76.2     | 57.3     | 1160        | £39.30 |
| M110558   | 58   | 80.0    | 40.0    | 79.2     | 57.3     | 1250        | £39.30 |
| M110560   | 60   | 84.0    | 41.0    | 82.1     | 57.3     | 1410        | £41.90 |
| M110565   | 65   | 87.3    | 46.2    | 88.0     | 57.3     | 1540        | £54.70 |
| M110570   | 70   | 93.4    | 51.5    | 94.0     | 68.1     | 2020        | £62.30 |
| M110575   | 75   | 96.1    | 51.5    | 94.0     | 68.1     | 2020        | £69.90 |
| M110580   | 80   | 103.6   | 55.3    | 105.0    | 68.1     | 2500        | £81.60 |

1" Drive Metric Sockets →

